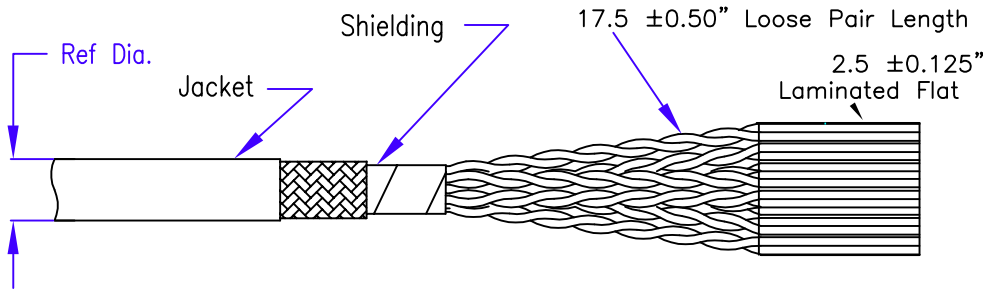
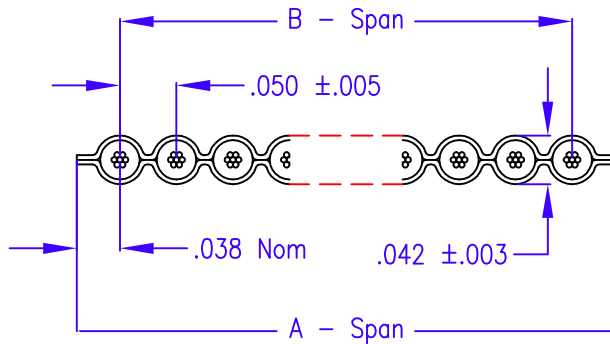


Cross Section at Flat



PHYSICAL

Conductors: 28 AWG 7/36 Tinned Copper
 Insulation: .010" SR-PVC
 Color Code: Tan Common, Brown, Red, Orange, Yellow, Green, Blue, Violet, Gray, White, Black and Repeat
 Laminate: .005" Clear PVC
 Shielding: .001" Alum/Poly Tape w/ 85% min Coverage Tinned Copper Braid
 Jacket: .030" PVC
 Temperature Range: -40°C to 105°C

ELECTRICAL

Impedance: 70 ohms¹ 100 ohms Nom²
 Capacitance: 25 pF/ft¹ 17 pF/ft Nom²
 Propagation Delay: 1.7 ns/ft Nom
 Voltage Rating: 300 V
 Current Rating: 1.3 A
 DC Resistance: 106 ohm per 1,000 ft
 Insulation Res: 10¹⁰ ohms - 10 ft MIN

¹ Above values measured ground-signal, with shield also grounded

² Above values measured differentially. One pair Driven with Shield and Other Pairs Floating

APPROVALS AND VOLTAGE RATING:

UL CL2
 CSA AWM FT-1

| Part Number | Count | Pairs | A Span | B Span (Nom) | Ref Dia |
|--------------|-------|-------|-----------|--------------|---------|
| 169-2832-010 | 10 | 5 | .526 NOM | .450 | .250 |
| 169-2832-014 | 14 | 7 | .726 NOM | .650 | .260 |
| 169-2832-016 | 16 | 8 | .826 NOM | .750 | .280 |
| 169-2832-020 | 20 | 10 | 1.026 NOM | .950 | .290 |
| 169-2832-026 | 26 | 13 | 1.326 NOM | 1.250 | .310 |
| 169-2832-034 | 34 | 17 | 1.726 NOM | 1.650 | .360 |
| 169-2832-036 | 36 | 18 | 1.826 NOM | 1.750 | .380 |
| 169-2832-040 | 40 | 20 | 2.026 NOM | 1.950 | .390 |
| 169-2832-050 | 50 | 25 | 2.526 NOM | 2.450 | .430 |
| 169-2832-060 | 60 | 30 | 3.026 NOM | 2.950 | .470 |
| 169-2832-064 | 64 | 32 | 3.226 NOM | 3.150 | .480 |
| 169-2832-068 | 68 | 34 | 3.426 NOM | 3.350 | .490 |

| REVISION | CHANGES | ECO | DATE |
|----------|----------------------|------|----------|
| M | UPDATE TEMP RATING | 8295 | 10/28/15 |
| L | LIST VOLTAGE AS 300V | 7760 | 8/28/13 |

| | | | |
|------------------------------------|-----------------|-----------------|---|
| DRAWN BY FITS 5/18/00 | REVIEWED | APPROVED | DOCUMENT NO. 169-2832-0XX |
| | | | TITLE: Loose Pair Round Jacketed Twist'N'Flat® Cable |

AMPHENOL SPECTRA-STRIP
 720 SHERMAN AVENUE TEL (203) 281-3200
 HAMDEN CT 06514 FAX (203) 281-5872

Rev M
SHEET 1 OF 1