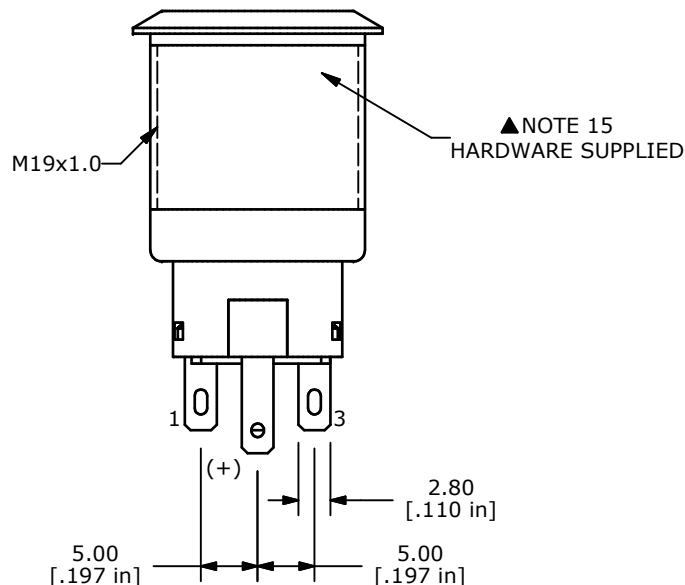
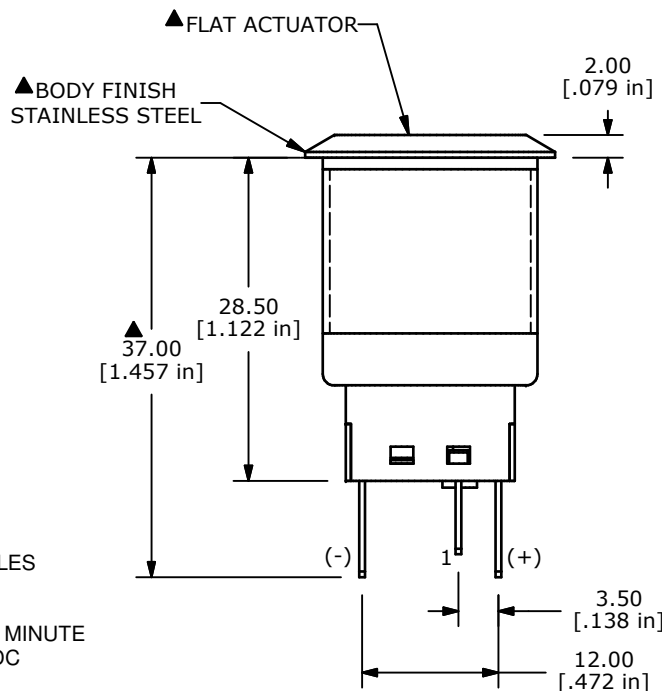
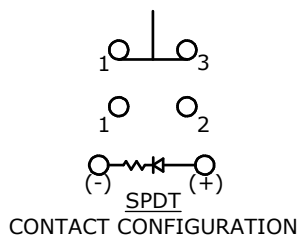
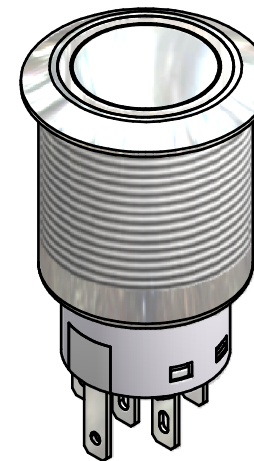
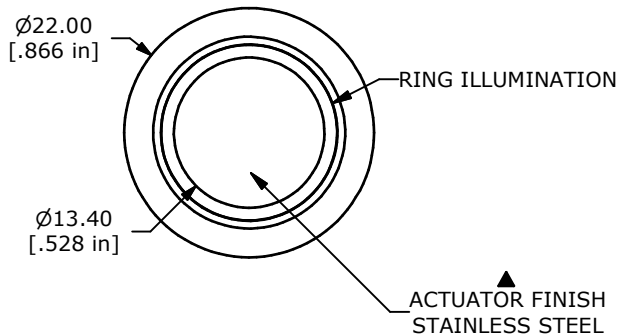


SWITCH FUNCTION	
POS. 1	POS. 2
ON	ON
1-3	1-2

(ON) = MOMENTARY



NOTE:

1. ALL DIMENSIONS IN MM [INCH]
2. GENERAL TOLERANCE: X.X=±0.4  
X.XX=±0.25
3. TERMINAL NUMBERS FOR REF ONLY
- ▲ 4. CONTACT MATERIAL: SILVER
5. RATING: 2A 24VDC
6. ELECTRIC LIFE: 50,000 MAKE-AND-BREAK CYCLES AT FULL LOAD.
7. INSULATION RESISTANCE: 1,000 MΩ MIN.
8. DIELECTRIC STRENGTH: 2,000 VAC MIN. FOR 1 MINUTE
9. CONTACT RESISTANCE: 50mΩ MAX. @ 1A 12VDC
10. OPERATING TEMP.: -20°C to 55°C
- ▲ 11. TRAVEL: 2.8mm
12. ▲ DENOTES CRITICAL PARAMETER.
- ▲ 13. LAMP VOLTAGE: 24V
14. INGRESS PROTECTION: IP65
15. HARDWARE SUPPLIED: O-RING AND HEXNUT
- ▲ 16. ILLUMINATION COLOR: BLUE
17. 2011/65/EU (ROHS) COMPLIANT



B	20841	24VDC WAS 48VDC, IP65 WAS IP67	10/23/12	EBP
A	20547	RELEASE FOR PRODUCTION	4/2/2012	MM
REV	PCR NO	DESCRIPTION	DATE	BY

TITLE PV4F230SS-345				
SCALE	DATE	DR	DWG	REV
1.5:1	4/2/2012	BMA	52-PV4F230SS345	B

THE INFORMATION CONTAINED IN THIS DOCUMENT IS PROPRIETARY TO E-SWITCH AND IS NOT TO BE COPIED OR TRANSFERRED