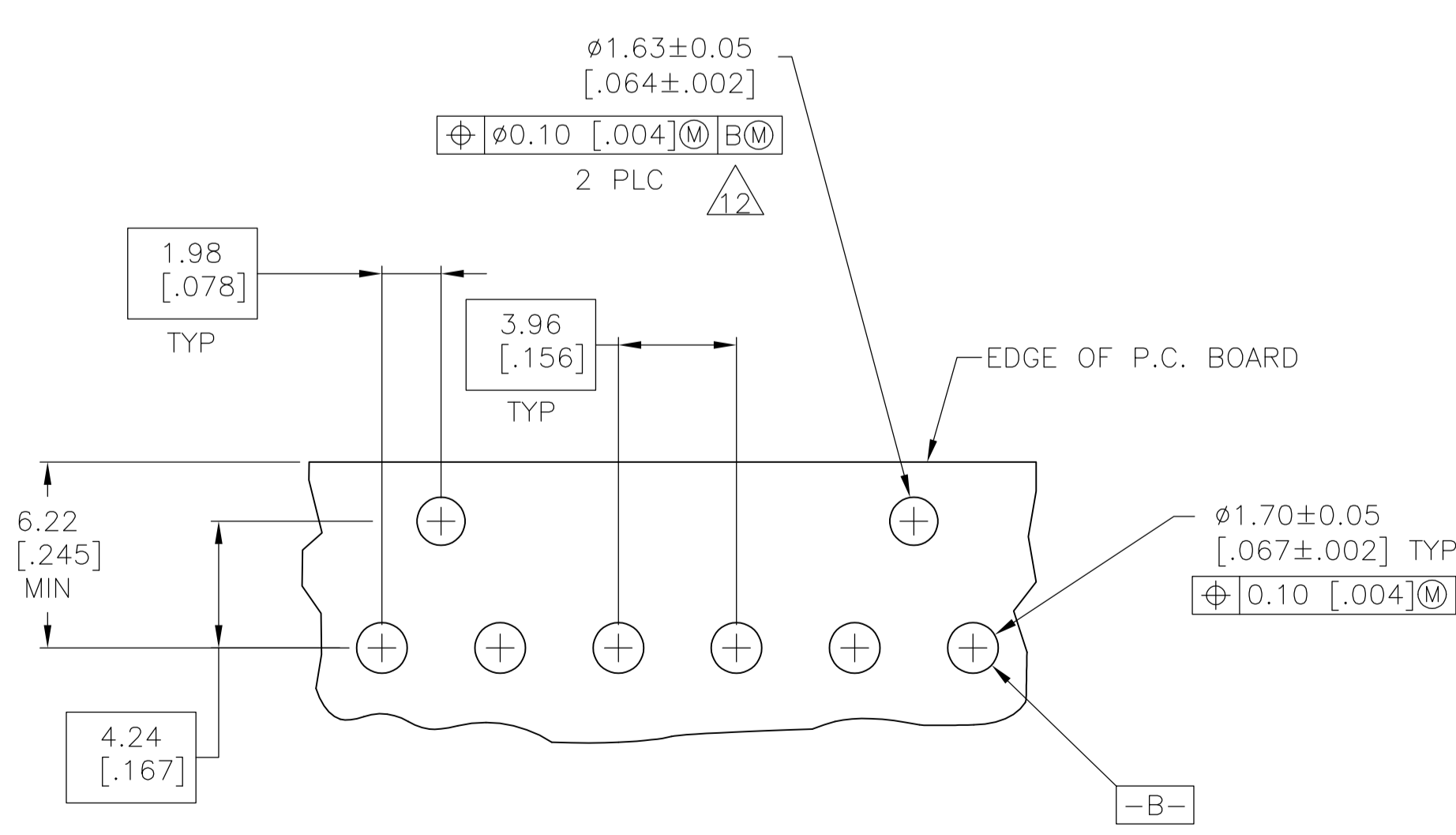
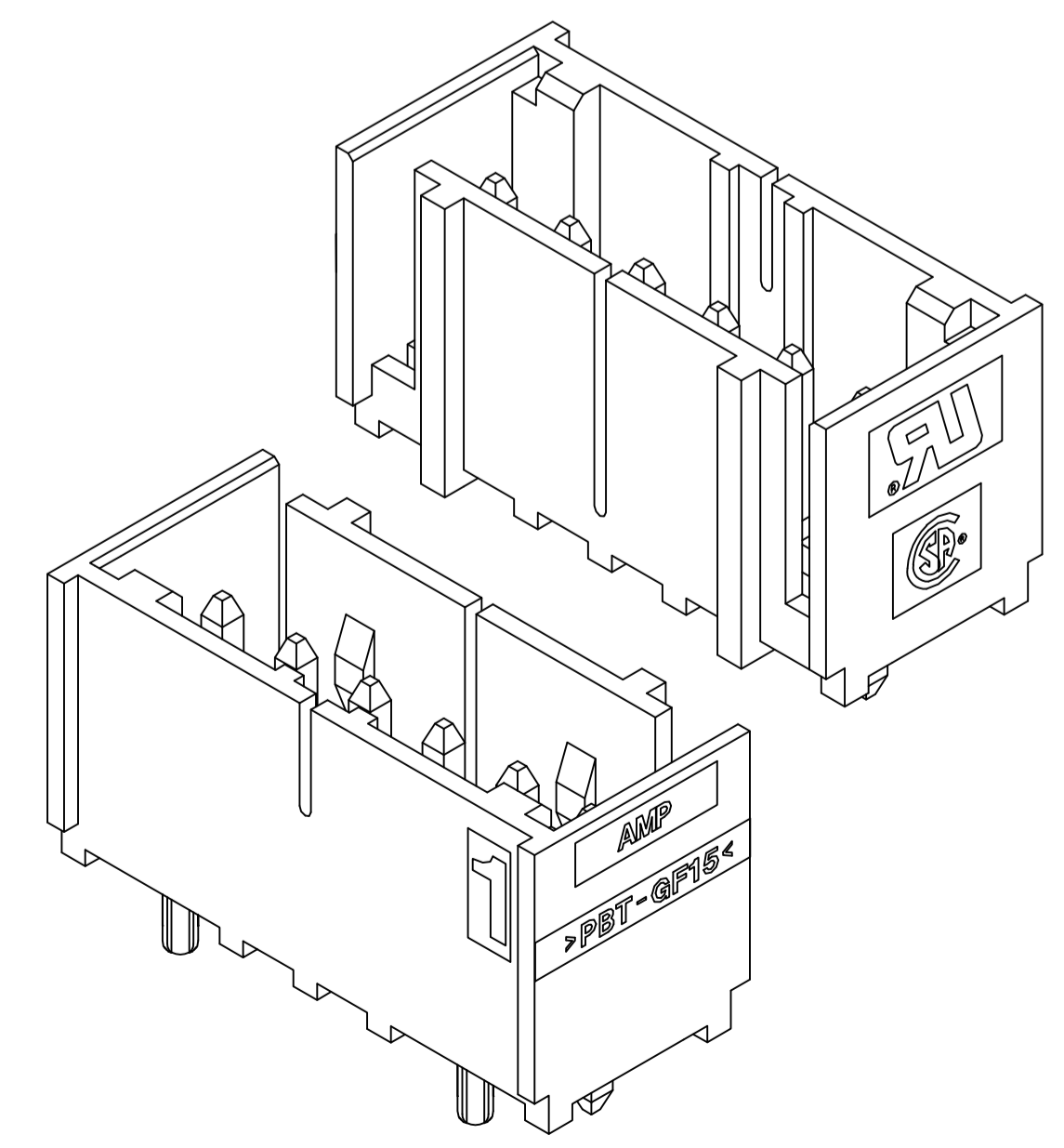
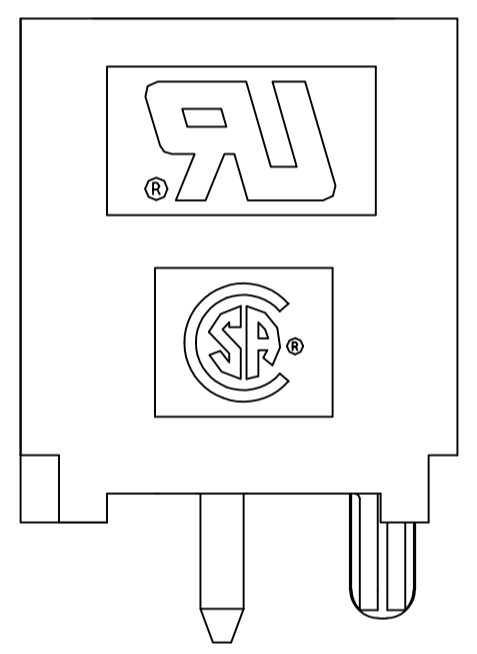
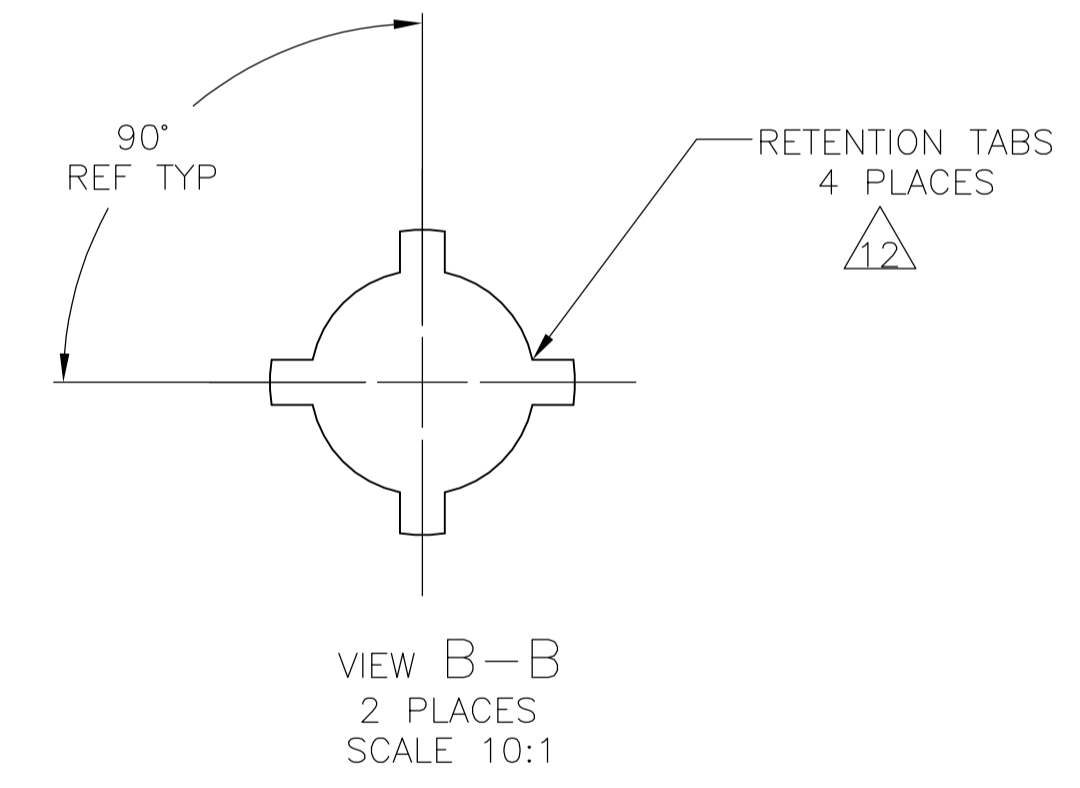
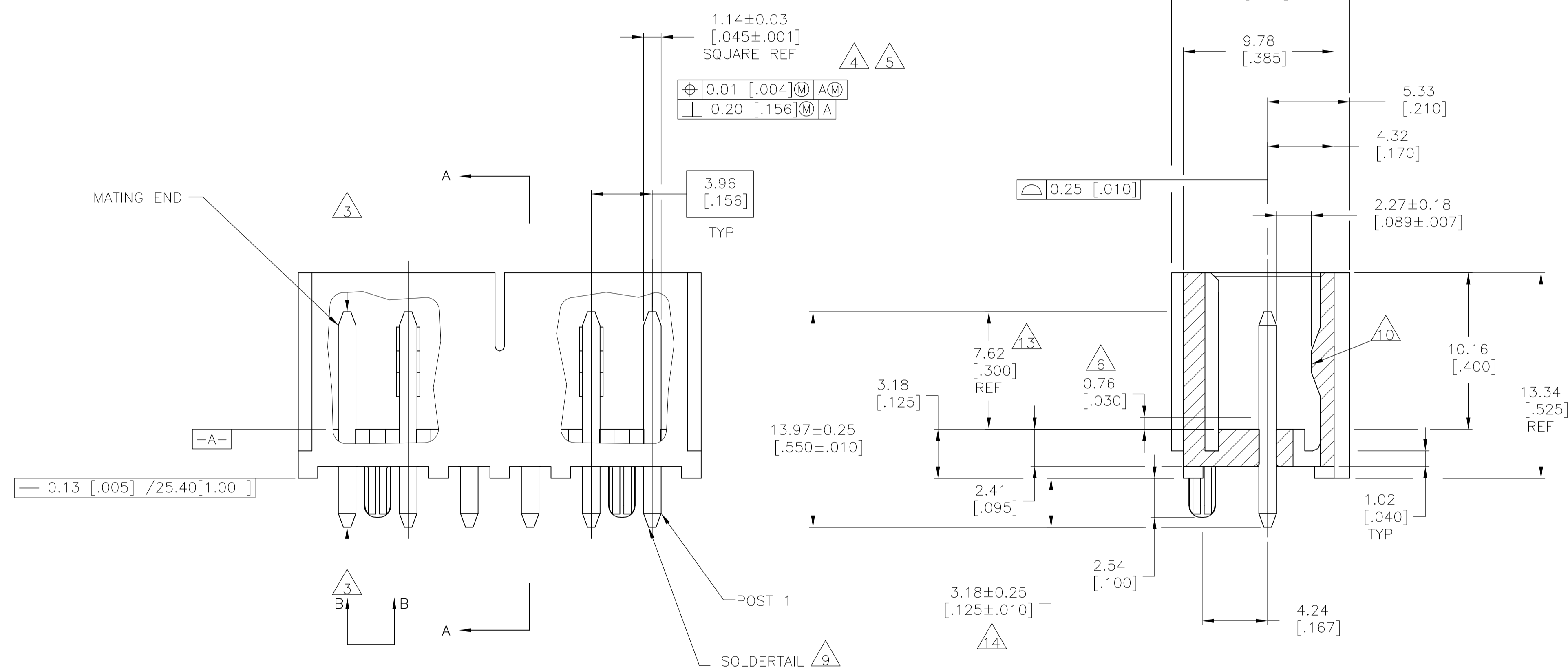
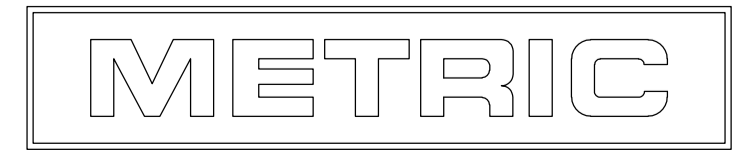


- 1 MATERIAL: HOUSING - THERMOPLASTIC POLYESTER, GLASS FILLED, UL94-0. POST - COPPER ALLOY
- 2 FINISH: HOUSING - BLACK. POST - (SEE NOTES 13 & 14 FOR PLATING).
- 3 POST TO WITHSTAND 3LBS (16N) MIN AXIAL FORCE IN THIS DIRECTION WITHOUT DISLODGING.
- 4 APPLIES AT -A-
- 5 APPLIES WHEN HEADER IS STRAIGHT.
- 6 PLASTIC PROJECTIONS PERMITTED IN THIS ZONE.
- 7 COORDINATE DIMENSIONS APPLIES FROM CENTER OF ACTUAL FEATURE.
- 8 SOLDER SIDE OF BOARD IS SHOWN.
- 9 POST SOLDER TAIL MUST COMPLY WITH AMP SOLDERABILITY SPEC 109-11-2.
- 10 LATCH DETENT FEATURE APPEARS 1 PLACE ON EACH END OF PART (MAX OF 2 PER PART) ON ALL POSITIONS 4 THRU 12. THE LATCH APPEARS ONLY ONE PLACE ON 2 & 3 POSITION PARTS.
- 11. DIMENSIONS IN BRACKETS ARE IN INCHES.
- 12 THE RETENTION TABS PROVIDE A ONE TIME INTERFERENCE FIT IN THE  $1.63$  [.064] DIAMETER P.C. BOARD HOLE FOR HEADER ASSEMBLY RETENTION DURING SOLDERING. FOUR TABS PER PEG, TWO PEGS PER HEADER ASSEMBLY (ONE PEG ONLY FOR -2 POSITION SIZE).
- 13 PLATING: GOLD PLATE AREA,  $0.00038$  [.000015] GOLD OR  $0.00008$  [.000003] MIN GOLD FLASH OVER  $0.00030$  [.000012] PALLADIUM NICKEL, PER TE CONNECTIVITY'S DISCRETION, ALL SIDES, OVER NICKEL UNDERPLATE,  $0.00127$  [.000050] MIN, ALL SIDES AND ENTIRE LENGTH OF POST.
- 14 BRIGHT TIN LEAD (93/7) PLATE AREA  $0.00381 - 0.0089$  [.000150 - .000350] ALL FOUR SIDES,  $3.18$  [.125] MIN. FOR -2 THRU -12. MATTE TIN PLATE AREA,  $0.000150 - 0.000350$  THICK ALL FOUR SIDES,  $.125$  MIN FOR -22 THRU -32.
- 15 OBSOLETE PARTS: OBSOLETE CIS STREAMLINING PER D.RENAUD/D.SINISI



| FINISH | MM    | IN    | NO OF POSN | PART NUMBER |
|--------|-------|-------|------------|-------------|
| TIN    | 49.94 | 1.966 | 12         | 3-647143-2  |
| TIN    | 45.97 | 1.810 | 11         | 3-647143-1  |
| TIN    | 42.01 | 1.654 | 10         | 3-647143-0  |
| TIN    | 38.05 | 1.498 | 9          | 2-647143-9  |
| TIN    | 34.09 | 1.342 | 8          | 2-647143-8  |
| TIN    | 30.12 | 1.186 | 7          | 2-647143-7  |
| TIN    | 26.16 | 1.030 | 6          | 2-647143-6  |
| TIN    | 22.20 | .874  | 5          | 2-647143-5  |
| TIN    | 18.24 | .718  | 4          | 2-647143-4  |
| TIN    | 14.27 | .562  | 3          | 2-647143-3  |
| TIN    | 10.31 | .406  | 2          | 2-647143-2  |

| FINISH   | MM    | IN    | NO OF POSN | PART NUMBER |
|----------|-------|-------|------------|-------------|
| TIN-LEAD | 49.94 | 1.966 | 12         | 1-647143-2  |
| TIN-LEAD | 45.97 | 1.810 | 11         | 1-647143-1  |
| TIN-LEAD | 42.01 | 1.654 | 10         | 1-647143-0  |
| TIN-LEAD | 38.05 | 1.498 | 9          | 647143-9    |
| TIN-LEAD | 34.09 | 1.342 | 8          | 647143-8    |
| TIN-LEAD | 30.12 | 1.186 | 7          | 647143-7    |
| TIN-LEAD | 26.16 | 1.030 | 6          | 647143-6    |
| TIN-LEAD | 22.20 | .874  | 5          | 647143-5    |
| TIN-LEAD | 18.24 | .718  | 4          | 647143-4    |
| TIN-LEAD | 14.27 | .562  | 3          | 647143-3    |
| TIN-LEAD | 10.31 | .406  | 2          | 647143-2    |



THIS DRAWING IS A CONTROLLED DOCUMENT.

|                         |  |                         |   |
|-------------------------|--|-------------------------|---|
| DIMENSIONS: mm [INCHES] | TOLERANCES UNLESS OTHERWISE SPECIFIED: | DIN B. LEWIS 16 JUN 98  | TE Connectivity   |
|                         | 0 PLC ± -                              | CHK R. SWING 16 JUN 98  | MTA-156 SHROUDED HEADER ASSEMBLY, STRAIGHT .045 SQUARE POST, 0.00015 GOLD, W/ RETENTION PEG |
|                         | 1 PLC ± -                              | APVD D. CLARK 16 JUN 98 | SIZE CAGE CODE DRAWING NO RESTRICTED TO   |
|                         | 2 PLC ± -                              |                         | WEIGHT A1 00779 C=647143  |
|                         | 3 PLC ± .005                           |                         | CUSTOMER DRAWING SCALE 5:1 SHEET 1 OF 1 REV D   |
|                         | 4 PLC ± -                              |                         |   |
|                         | ANGLES ± ° ' 30"                       |                         |   |