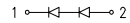
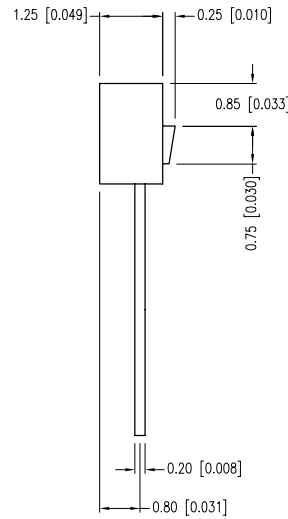
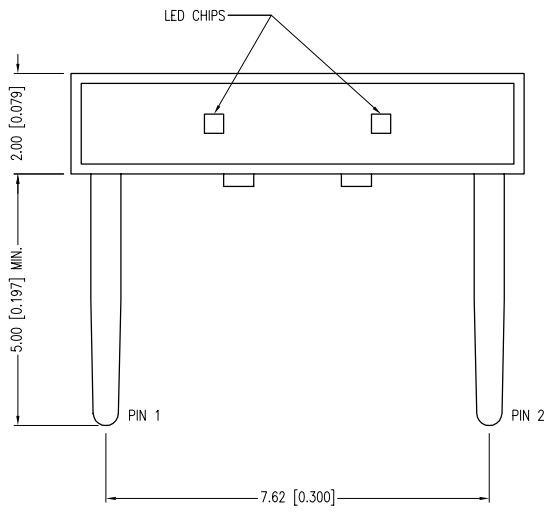
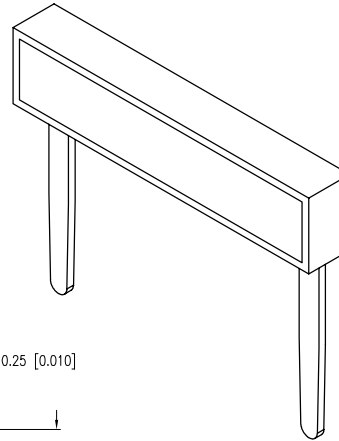
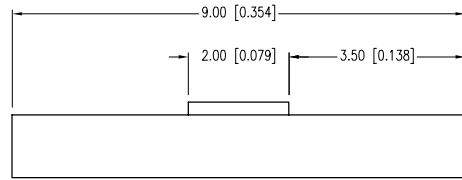


PART NUMBER	SSB-LX02SRC	REV.	D
DATE	E.C.N. NUMBER AND REVISION COMMENTS	REV.	
02.18.93	REDRAWN, NEW MOLD.	A	
07.18.95	UPDATED SPEC. WHERE NOTED.	B	
09.29.98	E.C.N. #10BRDR. & REDRAWN.	C	
03.05.99	E.C.N. #10501. CORRECTED POLARITY.	D	



ELECTRO-OPTICAL CHARACTERISTICS $T_A=25^{\circ}\text{C}$ $I_f=20\text{mA}$

PARAMETER	MIN	TYP	MAX	UNITS	TEST COND
PEAK WAVELENGTH		660 (RED)		nm	
FORWARD VOLTAGE		3.6	4.6	V_f	
REVERSE VOLTAGE	2.0			V_r	$I_f=100\mu\text{A}$
AXIAL INTENSITY		50		mcd	$I_f=20\text{mA}$
VIEWING ANGLE		160		2x theta	
EMITTED COLOR:	RED				
EPOXY LENS FINISH:	RED TRANSPARENT				

LIMITS OF SAFE OPERATION AT 25°C PER CHIP

PARAMETER	MAX	UNITS
PEAK FORWARD CURRENT*	150	mA
STEADY CURRENT	30	mA
POWER DISSIPATION	105	mW
DERATE FROM 25°C	-0.25	mW/°C
OPERATING TEMP.	-20 TO +70	°C
STORAGE TEMP.	-40 TO +80	°C
SOLDERING TEMP.	+240	°C
2.0mm FROM BODY		3 SEC. MAX

* $t < 10\mu\text{s}$

*UNLESS OTHERWISE SPECIFIED TOLERANCES PER DECIMAL PRECISION ARE: X=±1 (±0.039), X.X=±0.5 (±0.020), X.XX=±0.25 (±0.010), X.XXX=±0.127 (±0.005). LEAD SIZE=±0.05 (±0.002), LEAD LENGTH=±0.75 (±0.030). MIN= $\begin{matrix} +\text{DECIMAL} \\ -0.00 \end{matrix}$ PRECISION MAX.= $\begin{matrix} +0.00 \\ -\text{DECIMAL} \end{matrix}$ PRECISION

LUMEX
 Creating LED and LCD Solutions Together™
 290 E. HELEN ROAD
 PALATINE, IL 60067-6976
 PHONE: +1.847.359.2790
 FAX: +1.847.359.6538
 WEB: WWW.LUMEX.COM

2 CHIP LCD ILLUMINATOR, 660nm RED, RED TRANSPARENT LENS.

THE SPECIFICATIONS MAY CHANGE AT ANY TIME WITHOUT NOTICE DUE TO NEW MATERIALS OR PRODUCT IMPROVEMENT.

CONFIDENTIAL INFORMATION
 THE INFORMATION CONTAINED IN THIS DOCUMENT IS THE PROPERTY OF LUMEX INC. EXCEPT AS SPECIFICALLY AUTHORIZED IN WRITING BY LUMEX INC., THE HOLDER OF THIS DOCUMENT SHALL KEEP ALL INFORMATION CONTAINED HEREIN CONFIDENTIAL AND SHALL PROTECT SAME IN WHOLE OR IN PART FROM DISCLOSURE AND DISSEMINATION TO ALL THIRD PARTIES.

DATE:	03.30.11	DRAWN BY:	AB
PAGE:	1 OF 1	CHKD BY:	YA
SCALE:	NTS	APRVD BY:	YA
UNIT:	mm [INCH]		Ⓟ