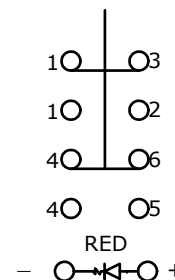
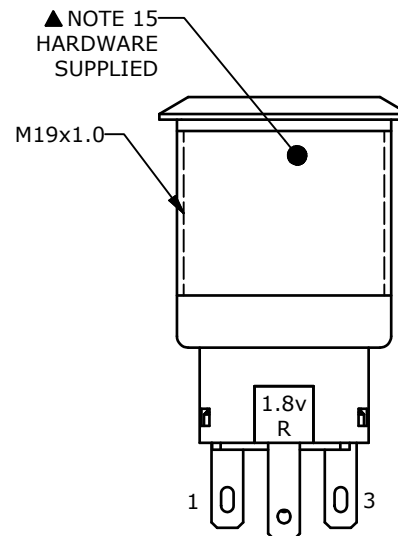
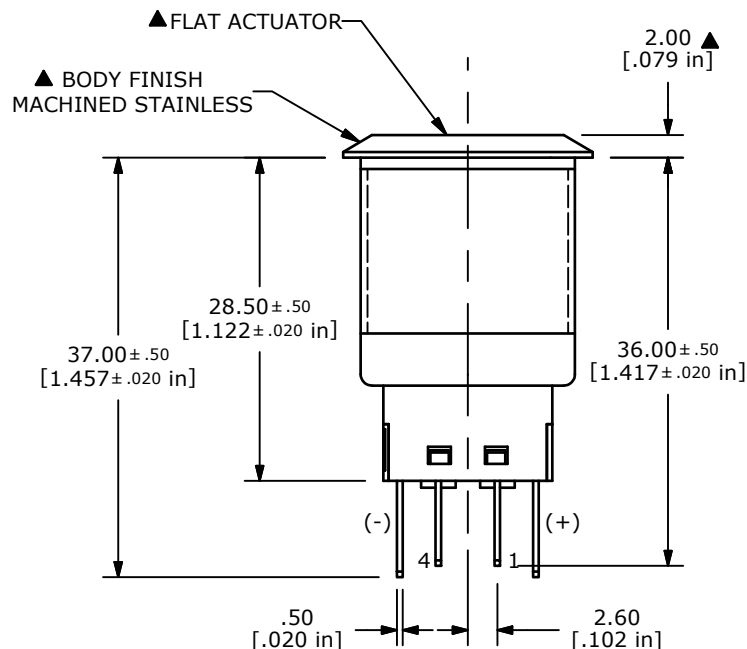
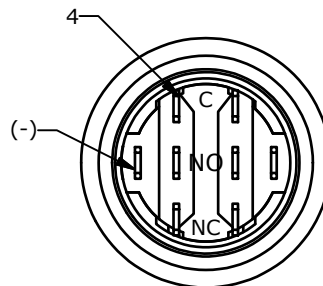


SWITCH FUNCTION	
POS. 1	POS. 2
ON	ON
1-3, 4-6	1-2, 4-5



▲ DPDT  
CONTACT CONFIGURATION



- NOTE:
1. ALL DIMENSIONS IN mm [INCH]
  2. GENERAL TOLERANCE: X.X±0.4  
X.XX±0.25
  3. TERMINAL NUMBERS FOR REF ONLY
  - ▲ 4. CONTACT MATERIAL: SILVER
  5. RATING: 2A 48VDC
  6. ELECTRIC LIFE: 50,000 MAKE-AND-BREAK CYCLES AT FULL LOAD.
  7. INSULATION RESISTANCE: 1,000 MΩ MIN.
  8. DIELECTRIC STRENGTH: 2,000 VAC MIN. FOR 1 MINUTE
  9. CONTACT RESISTANCE: 50mΩ MAX. @ 1A 12VDC
  10. OPERATING TEMP.: -20°C to 55°C
  - ▲ 11. TRAVEL: 2.8mm
  12. ▲ DENOTES CRITICAL PARAMETER.
  - ▲ 13. LAMP VOLTAGE: 20mA 1.8V
  14. INGRESS PROTECTION: IP65
  15. HARDWARE SUPPLIED: O-RING AND HEXNUT
  - ▲ 16. ILLUMINATION COLOR: RED



B	21615	Included 1.8v R on part	10/14/14	AS
A	20642	INITIAL RELEASE	06/14/12	drg
REV	PCR NO	DESCRIPTION	DATE	BY

TITLE PV4F2G0SS-311				
SCALE	DATE	DR	DWG	REV
NONE	6/14/2012	BGL	52-PV4F2G0SS311	B

THE INFORMATION CONTAINED IN THIS DOCUMENT IS PROPRIETARY TO E-SWITCH AND IS NOT TO BE COPIED OR TRANSFERRED