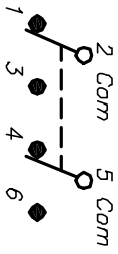


RECOMMENDED P.C.B. LAYOUT

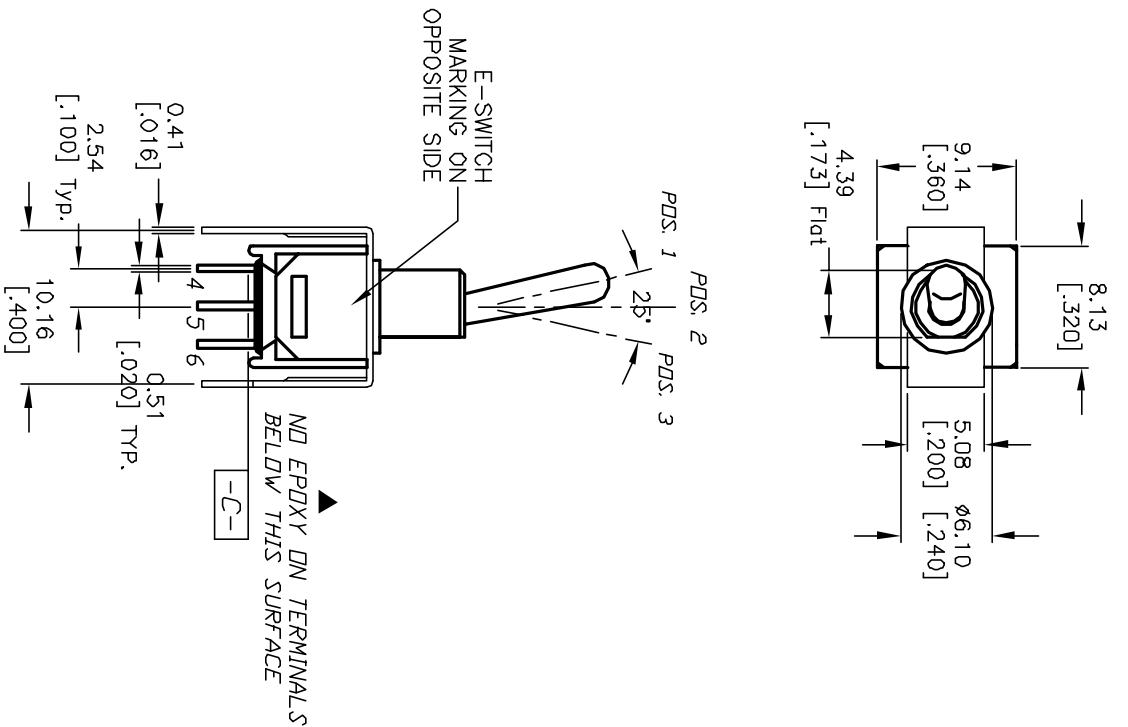
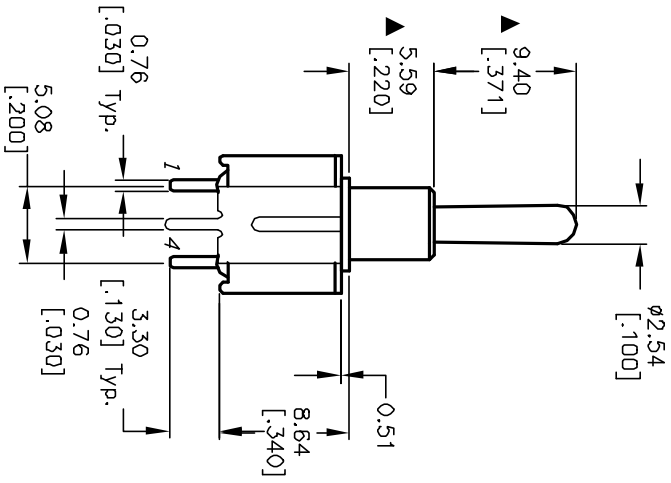


CIRCUIT: DPDT  
CONTACT CONFIGURATION

SWITCH FUNCTION		
PDS: 1	PDS: 2	PDS: 3
DN	OFF	DN
2-3,5-6	OPEN	2-1,5-4

NOTES:

1. ALL DIMENSIONS IN MM
2. GENERAL TOLERANCE: X.X=±0.4  
X.XX=±0.25
3. TERM. NOS. FOR REF. ONLY
4. CONTACT RATING: 0.4VA max. @20VAC or DC
5. FIXED TERM/MOVING CONTACT:  
COPPER ALLOY w/GOLD PLATE OVER  
Nickel plate.
6. ELECTRIC LIFE: 30,000 make-and-break cycles  
at full load.
7. INSULATION RESISTANCE: 1,000 M ohm min.
8. DIELECTRIC STRENGTH: 1,000 V RMS @sea level.
9. OPERATING TEMP.: -30°C to +85°C
10. ▲ DENOTES CRITICAL PARAMETER.



<b>A</b>	<b>13222</b>	<b>RELEASED FOR PRODUCTION</b>	<b>6/17/03</b>	<b>AR</b>
<b>REV.</b>	<b>ECN No.</b>	<b>DESCRIPTION</b>	<b>DATE</b>	<b>CHKD</b>

THE INFORMATION CONTAINED IN THIS DOCUMENT IS PROPRIETARY TO E-SWITCH AND IS NOT TO BE COPIED OR TRANSFERRED

<b>TITLE</b>		<b>SCALE</b>	<b>DATE</b>	<b>DR</b>	<b>DWG</b>	<b>REV</b>
<b>200MDP3T1B2VS2RE</b>		<b>2:1</b>	<b>6/17/03</b>	<b>AR</b>	<b>T221052</b>	<b>A</b>

**E-SWITCH®**