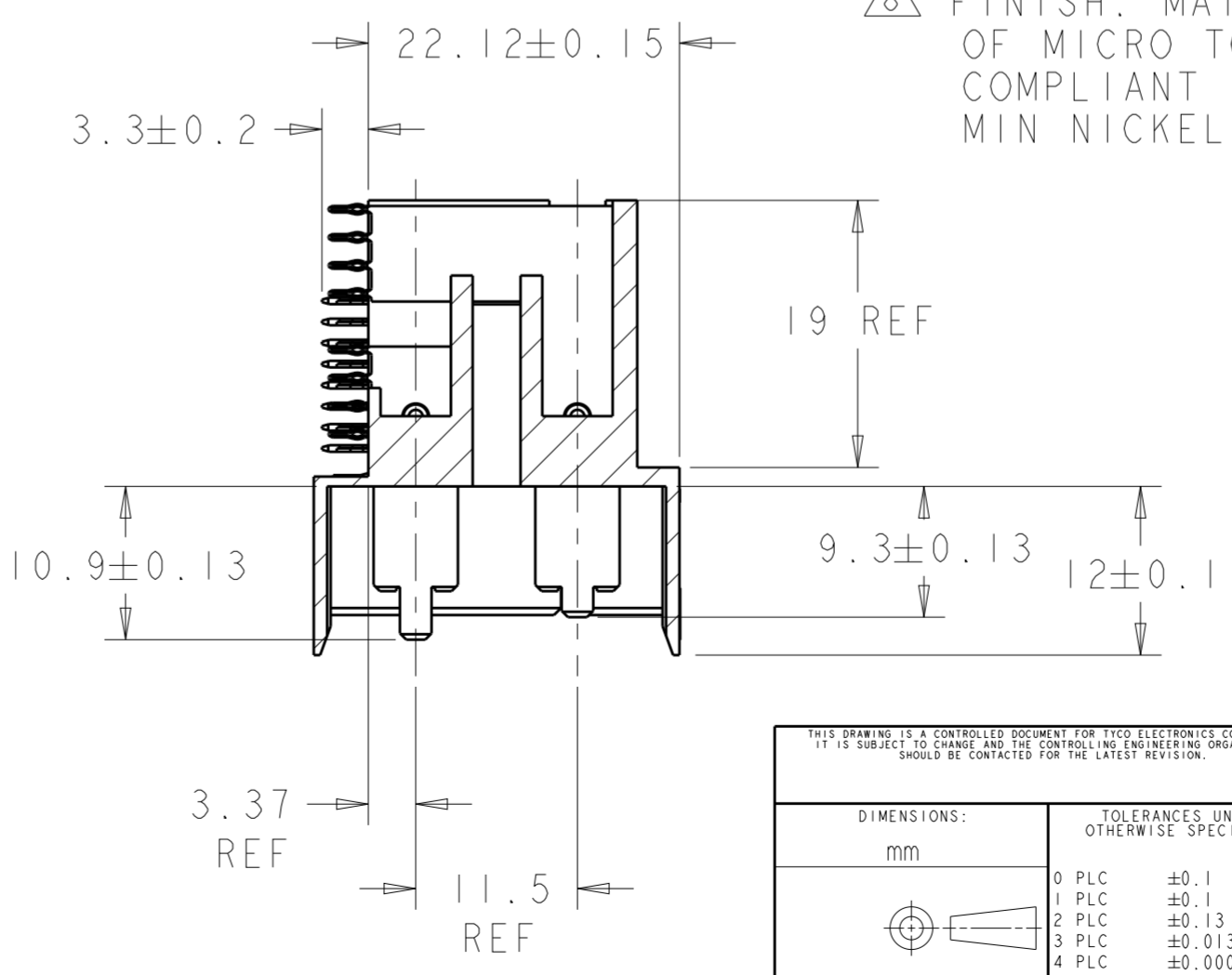
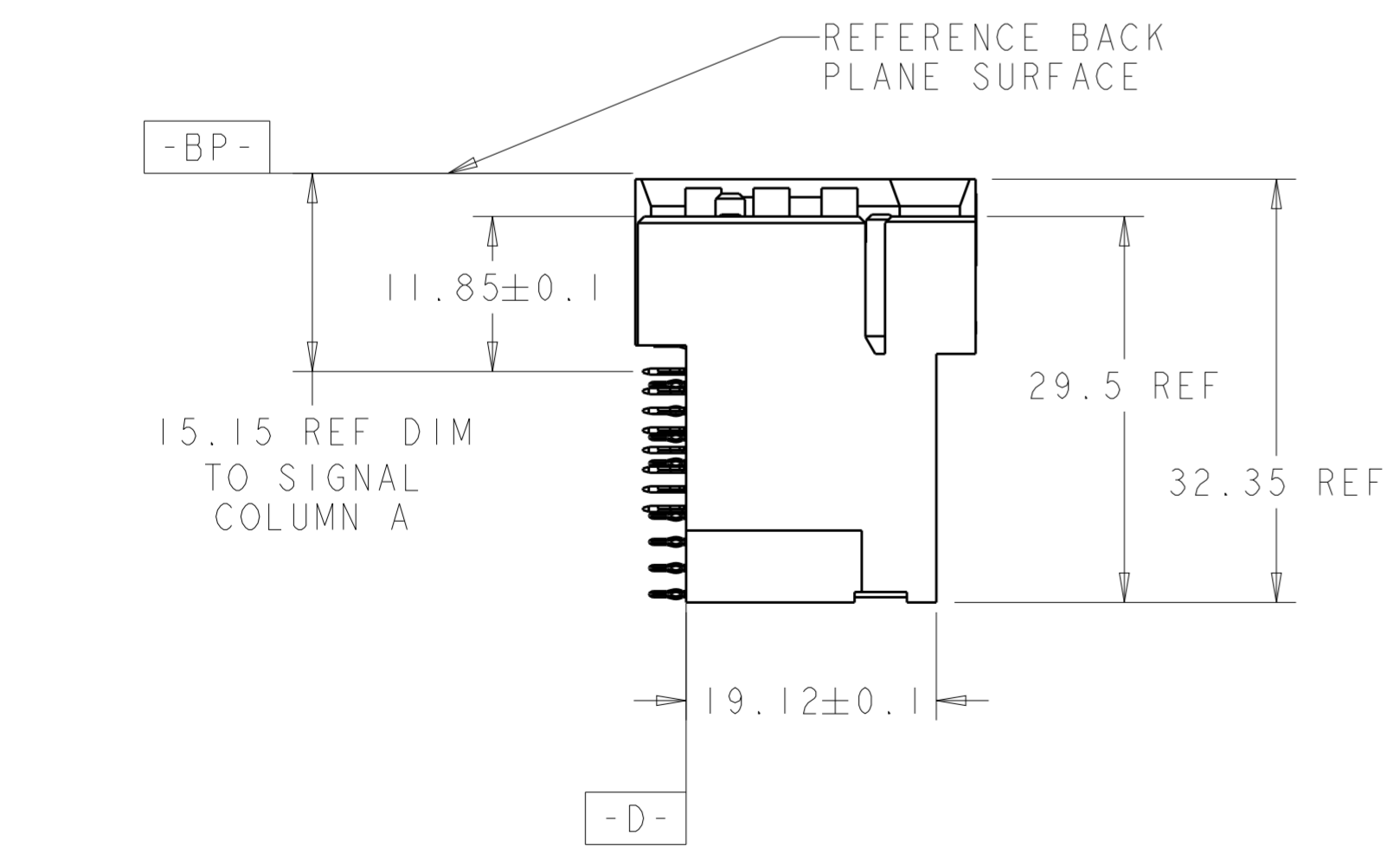
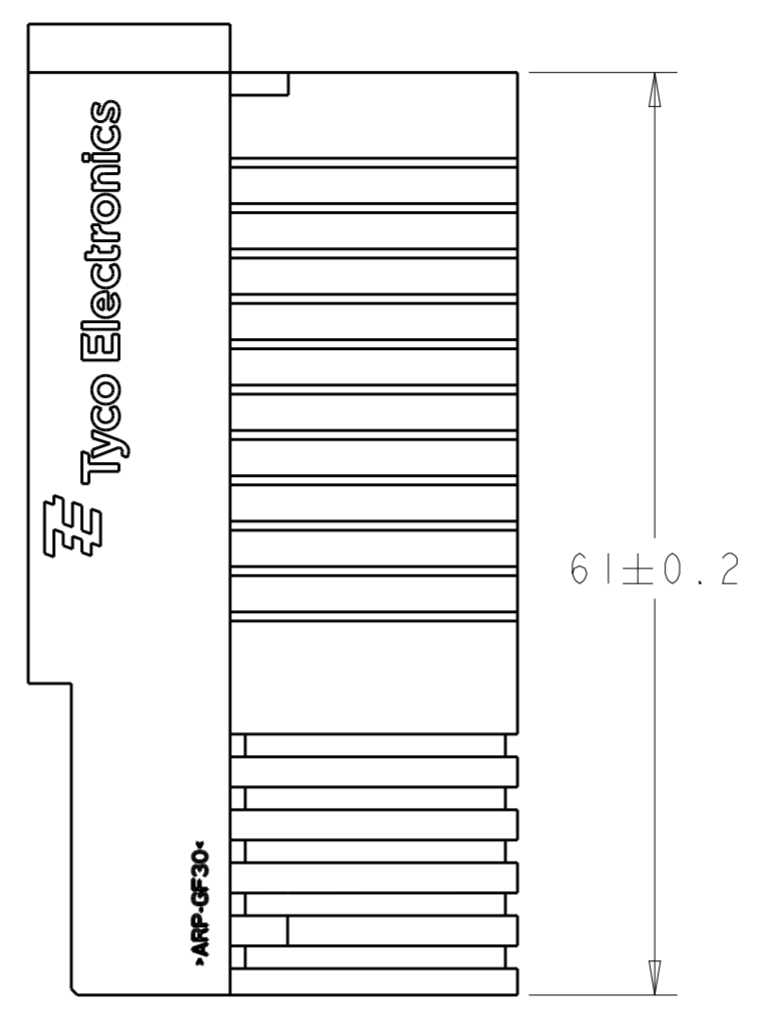
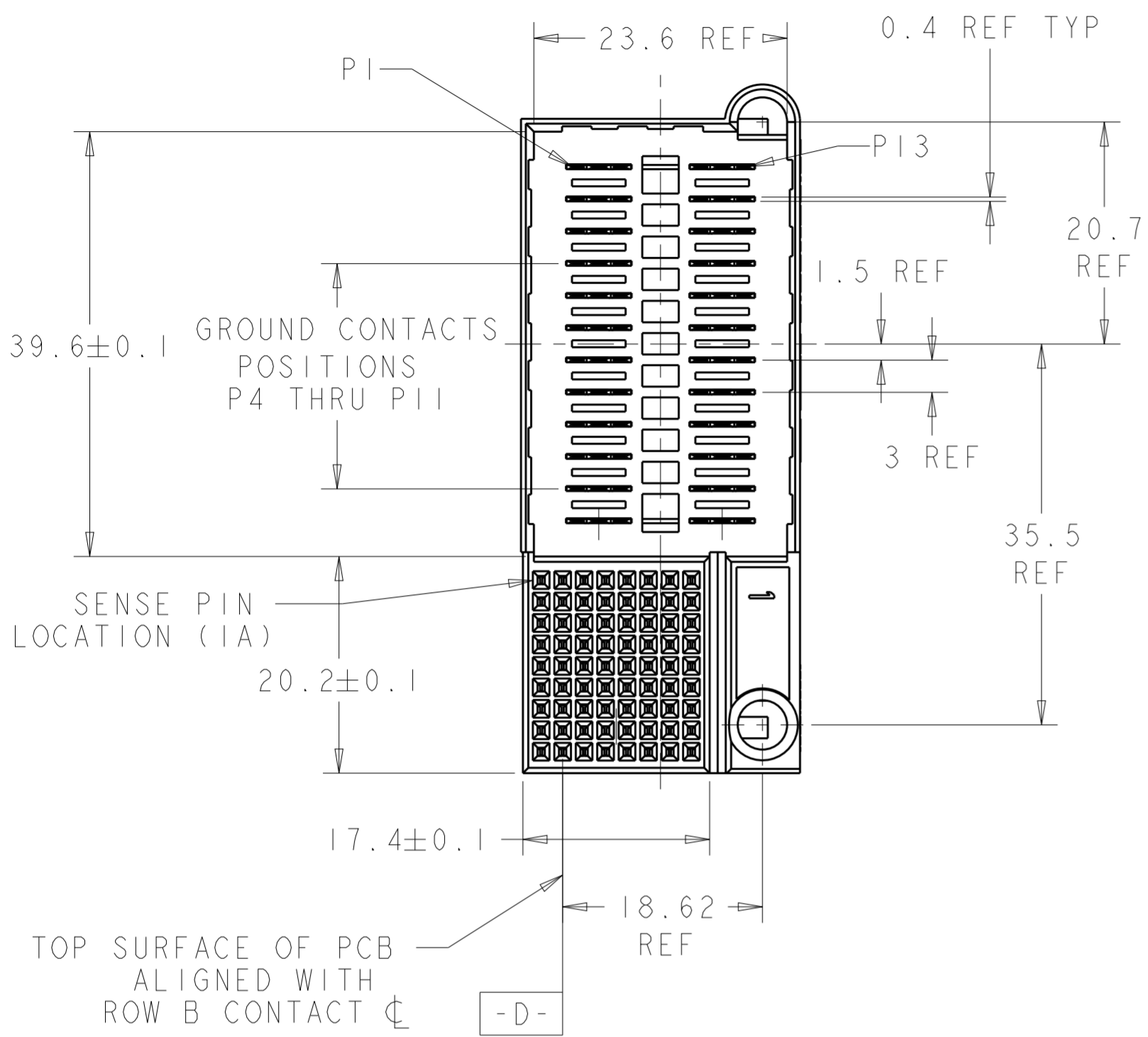


THIS DRAWING IS UNPUBLISHED. RELEASED FOR PUBLICATION 20
 © COPYRIGHT 20 BY TYCO ELECTRONICS CORPORATION. ALL RIGHTS RESERVED.

LOC		DIST		REVISIONS			
P	LTR	DESCRIPTION	DATE	DWN	APVD		
CG	00						
	A	REV PER ECO-08-023966	26SEP08	CR	MP		
	B	REV PER ECR-12-016892	29JAN2013	OL	SZ		



△ PCB HOLE DIM:
 DRILLED HOLE = 0.70 ±0.02 mm
 FINISHED HOLE = 0.60 mm REF
 Cu THICKNESS = 0.025-0.050 mm WITH EITHER
 HASL Sn Pb = 0.004-0.015 mm OR
 IMMERSION Sn = 0.0005 mm MIN OR
 OSP = 0.0002-0.0005 mm OR
 IMMERSION Ag = 0.0001 mm
 OR
 DRILLED HOLE = 0.73 ±0.02 mm
 FINISHED HOLE = 0.65 mm REF
 Cu THICKNESS = 0.025-0.050 mm WITH
 IMMERSION Au/Ni = 0.0001-0.0005 Au OVER
 0.004-0.005 Ni

- ② MATERIAL ;
HOUSING - GLASS FILLED POLYESTER
CONTACTS - COPPER ALLOY
- ③ FINISH: MATING AREA - MEETS PERFORMANCE REQUIREMENTS OF MICRO TCA.0 DRAFT SPECIFICATION. COMPLIANT PIN AREA - 0.5 um TIN OVER 1.27 um MIN NICKEL.
- 4. CONNECTOR MARKED WITH PART NUMBER AND DATE CODE.
- ⑤ DATUMS AND BASIC DIMENSIONS ESTABLISHED BY CUSTOMER.
- 6. CONTACT AREA LUBRICATED WITH BELLCORE APPROVED LUBRICANT. TECHNICAL REFERENCE GR-1217-CORE, ISSUE 1, NOVEMBER 1995.
- ⑦ GROUND CONTACT POSITIONS P4 THRU P11 MATE FIRST.
- ⑧ FINISH: MATING AREA - MEETS PERFORMANCE REQUIREMENTS OF MICRO TCA.0 DRAFT SPECIFICATION. COMPLIANT PIN AREA - 0.5 um TIN-LEAD OVER 1.27 um MIN NICKEL.

THIS PRODUCT HAS NOT COMPLETED VERIFICATION TESTING

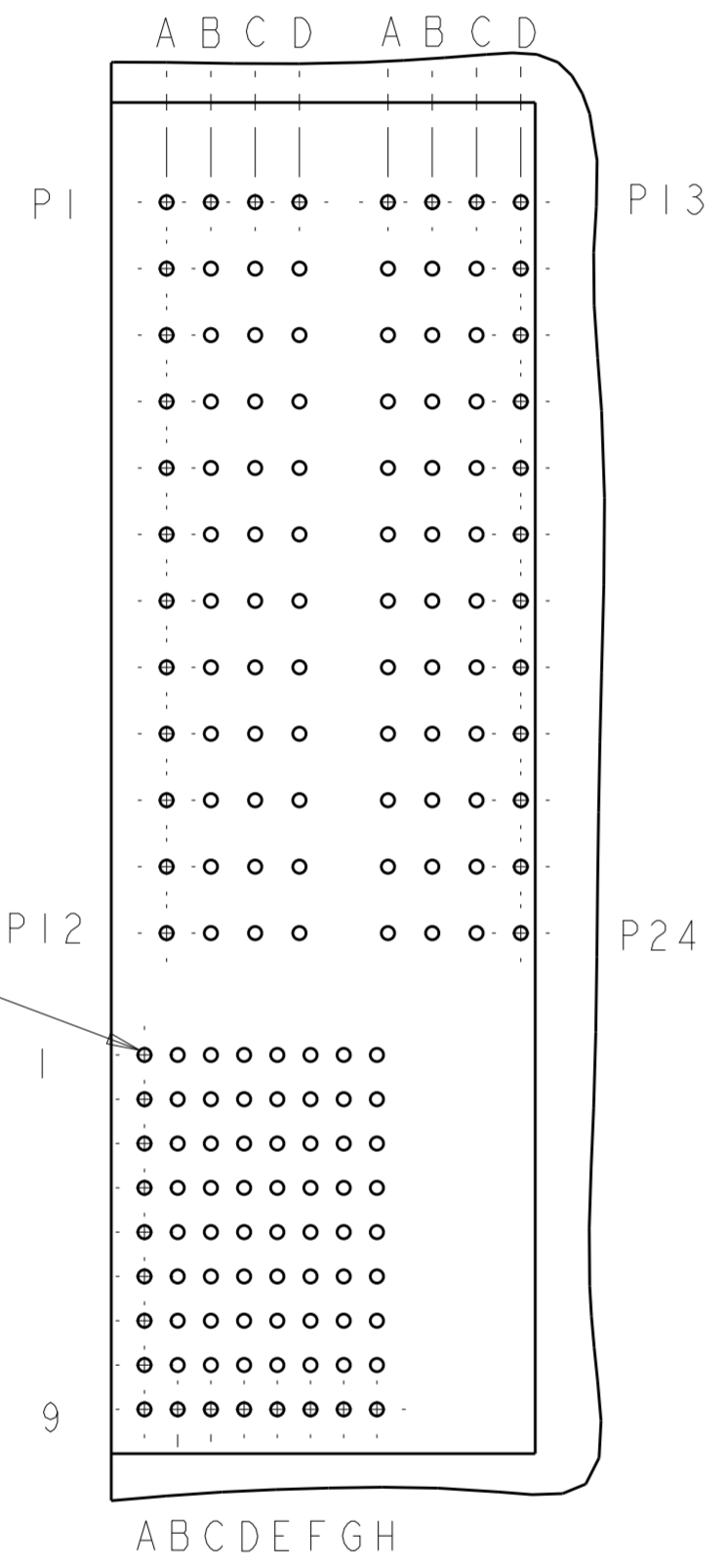
SECTION A-A

OBSOLETE	GOLD/TIN LEAD ⑧	1469922-2
	GOLD/TIN ③	1469922-1
	PLATING	PART NUMBER

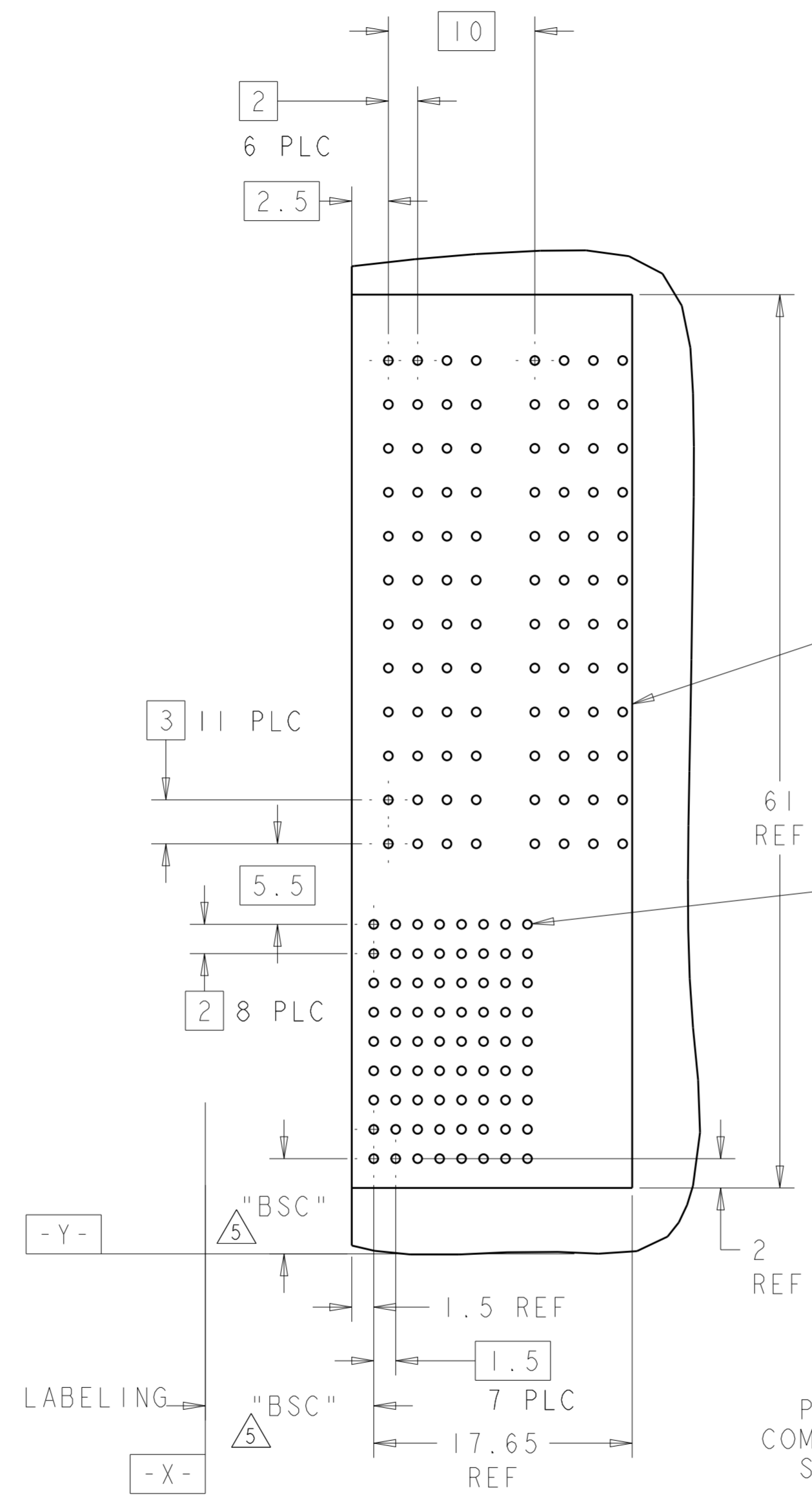
THIS DRAWING IS A CONTROLLED DOCUMENT FOR TYCO ELECTRONICS CORPORATION. IT IS SUBJECT TO CHANGE AND THE CONTROLLING ENGINEERING ORGANIZATION SHOULD BE CONTACTED FOR THE LATEST REVISION.		DWN D. SZCZESNY 03apr06	Tyco Electronics Harrisburg, PA 17105-3608	
DIMENSIONS: mm		CHK -	NAME M. FERCHERKE	
TOLERANCES UNLESS OTHERWISE SPECIFIED:		APVD M. FERCHERKE 26SEP08	PRODUCT SPEC -	
0 PLC ±0.1		APPLICATION SPEC -		
1 PLC ±0.1		WEIGHT -		
2 PLC ±0.13		SIZE A2		
3 PLC ±0.013		CAGE CODE 00779		
4 PLC ±0.0001		DRAWING NO 1469922		
ANGLES ±1		RESTRICTED TO -		
FINISH		SCALE 2:1		
-1		SHEET 1 OF 2		
Customer Drawing		REV B		

THIS DRAWING IS UNPUBLISHED. RELEASED FOR PUBLICATION 20
 © COPYRIGHT 20 BY TYCO ELECTRONICS CORPORATION. ALL RIGHTS RESERVED.

LOC	DIST	REVISIONS					
CG	00	P	LTR	DESCRIPTION	DATE	DWN	APVD
		-		SEE SHEET 1			



SCALE 3:1



OUTLINE OF CONNECTOR

Ø0.6 REF TYP
 ⊕ Ø0.05 ⊕ X Y
 AFTER PLATING
 SEE NOTE 1

PCB LAYOUT
 COMPONENT SIDE
 SCALE 3:1

PIN/HOLE LABELING

THIS DRAWING IS A CONTROLLED DOCUMENT FOR TYCO ELECTRONICS CORPORATION. IT IS SUBJECT TO CHANGE AND THE CONTROLLING ENGINEERING ORGANIZATION SHOULD BE CONTACTED FOR THE LATEST REVISION.		DWN D. SZCZESNY 03apr06	Tyco Electronics Harrisburg, PA 17105-3608	
DIMENSIONS: mm		CHK -	NAME MINIPAK HD POWER/SIGNAL CONNECTOR PRESS FIT TAIL VERSION	
TOLERANCES UNLESS OTHERWISE SPECIFIED: 0 PLC ±0.1 1 PLC ±0.1 2 PLC ±0.13 3 PLC ±0.013 4 PLC ±0.0001 ANGLES ±1		APVD M. PERCHERKE 26SEP08	SIZE A200779	
MATERIAL -1		PRODUCT SPEC -	DRAWING NO C-1469922	
		APPLICATION SPEC -	RESTRICTED TO -	
		WEIGHT -	SCALE 2:1 SHEET 2 OF 2 REV B	
		Customer Drawing		