

DO NOT SCALE FROM THIS PRINT

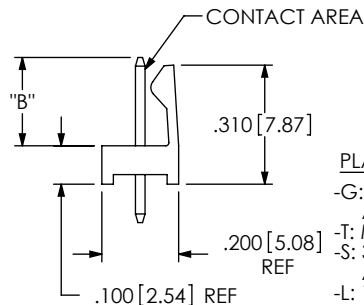
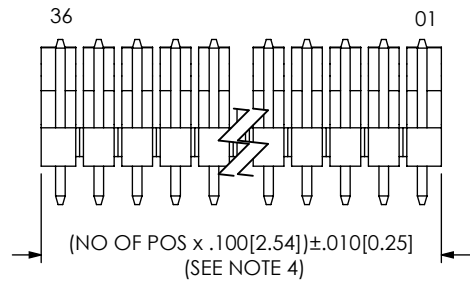


FIG 1
LCW-1XX-X-XX-S-230 SHOWN

LCW-1XX-XX-X-X-XXX-XX

No OF POSITIONS
-01 THRU -36
LEAD STYLE
(SEE TABLE 2)

PLATING SPECIFICATION

- G: 10µ" SELECTIVE GOLD IN CONTACT AREA, 3µ" SELECTIVE GOLD ON TAIL.
- T: MATTE TIN ON CONTACT AND TAIL.
- S: 30µ" SELECTIVE GOLD IN CONTACT AREA, MATTE TIN ON TAIL.
- L: 10µ" SELECTIVE GOLD IN CONTACT AREA, MATTE TIN ON TAIL.
- H: 30µ" SELECTIVE GOLD IN CONTACT AREA, 3µ" SELECTIVE GOLD ON TAIL.
- F: 3µ" SELECTIVE GOLD IN CONTACT AREA, MATTE TIN ON TAIL.

LEAD FORM SPECIFICATION

- BLANK: SEE FIG 1
- RA: SEE FIG 3
- RE: SEE FIG 3
- RP: SEE FIG 3 & IN-PROCESS
- PR: SEE FIG 4 & IN-PROCESS
- RR: SEE FIG 4
- LL: SEE FIG 5 (N/A ON 1 & 2 POSITIONS OR ANY RX OR XR LEAD STYLES)
- XX: INDICATES POSITION TO BE OMITTED.
- POST LENGTH "B"
- 230: .230[5.84]
- 300: .300[7.62]
- (-300 NOT AVAILABLE IN -7, -16, OR -17 LEAD STYLES)

BODY SPECIFICATION

- S: SINGLE (USE LCW-36-S)
- M: SINGLE MODIFIED, SEE FIG 2 (USE LCW-36-S)

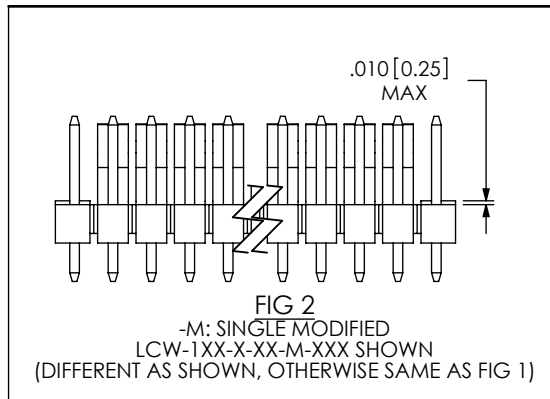


FIG 2
-M: SINGLE MODIFIED
LCW-1XX-X-XX-M-XXX SHOWN
(DIFFERENT AS SHOWN, OTHERWISE SAME AS FIG 1)

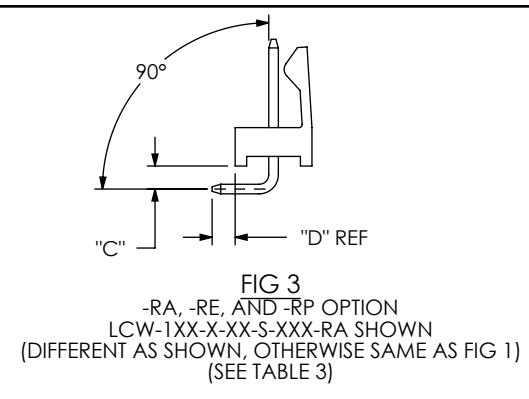


FIG 3
-RA, -RE, AND -RP OPTION
LCW-1XX-X-XX-S-XXX-RA SHOWN
(DIFFERENT AS SHOWN, OTHERWISE SAME AS FIG 1)
(SEE TABLE 3)

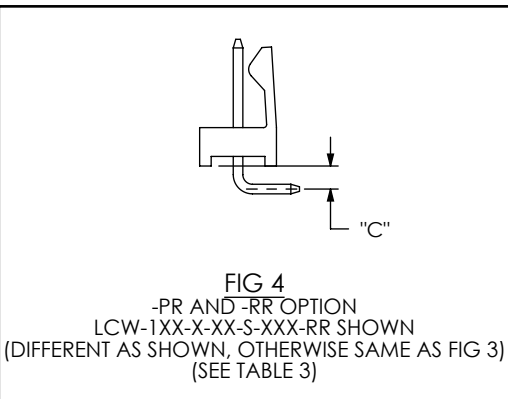
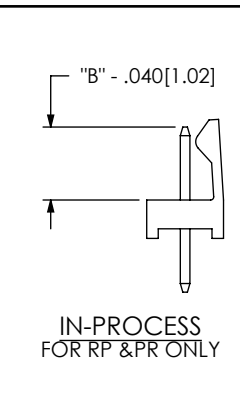


FIG 4
-PR AND -RR OPTION
LCW-1XX-X-XX-S-XXX-RR SHOWN
(DIFFERENT AS SHOWN, OTHERWISE SAME AS FIG 3)
(SEE TABLE 3)



IN-PROCESS FOR RP & PR ONLY

TABLE 2

LEAD STYLE	TERMINAL	OVERALL LENGTH
-07 (1)	T-1S6-07-XXX-2	.430 [10.92]
-08 (1) (2)	T-1S6-08-XXX-2	.530 [13.46]
-09	T-1S6-09-XXX-2	.730 [18.54]
-10	T-1S6-10-XXX-2	.830 [21.08]
-11	T-1S6-11-XXX-2	.930 [23.62]
-12	T-1S6-12-XXX-2	1.030 [26.16]
-13	T-1S6-13-XXX-2	1.230 [31.24]
-14	T-1S6-14-XXX-2	1.430 [36.32]
-15 (1) (2)	T-1S6-15-XXX-2	.630 [16.00]
-16 (1)	T-1S6-16-XXX-2	.445 [11.30]
-17 (1)	T-1S6-17-XXX-2	.480 [12.19]
-19	T-1S6-19-XXX-2	1.330 [33.78]
-20	T-1S6-20-XXX-2	1.130 [28.70]

(1) -LL AVAILABLE IN .230[5.84] POST
(2) -LL AVAILABLE IN .300[7.62] POST

"D" = OVERALL LENGTH - "B" - "C" - .180

NOTES:

1. Ⓢ REPRESENTS A CRITICAL DIMENSION.
2. MINIMUM PUSHOUT FORCE: 3 LBS.
3. MAXIMUM HEIGHT VARIATION BETWEEN ANY TWO PINS: .010[0.25]
4. TOLERANCE FOR THIS DIMENSION IS +.005/-0.015 FOR 36 POSITION PARTS.

TABLE 3

LEAD FORM SPECIFICATION	"C"
-RA	.060[1.52] ± .010[0.25]
-RE	.160[4.06] ± .010[0.25]
-RP	.030[0.76] ± .010[0.25]
-PR	.030[0.76] ± .010[0.25]
-RR	.060[1.52] ± .010[0.25]

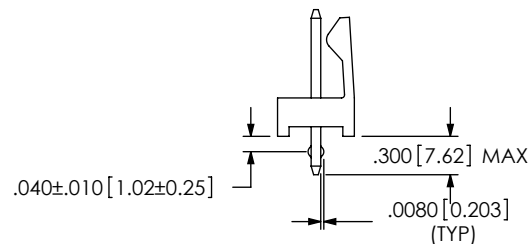
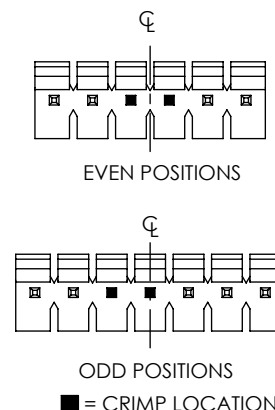


FIG 5
-LL: LOCKING LEAD
LCW-1XX-X-XX-S-XXX-LL SHOWN
(DIFFERENT AS SHOWN, OTHERWISE SAME AS FIG 1)



ODD POSITIONS
■ = CRIMP LOCATION

UNLESS OTHERWISE SPECIFIED, DIMENSIONS ARE IN INCHES.

TOLERANCES ARE:

DECIMALS ANGLES
.XX: ±.01 [0.3] 2°
.XXX: ±.005 [0.13]
.XXXX: ±.0020 [0.051]

PROPRIETARY NOTE

THIS DOCUMENT CONTAINS INFORMATION CONFIDENTIAL AND PROPRIETARY TO SAMTEC, INC. AND SHALL NOT BE REPRODUCED OR TRANSFERRED TO OTHER DOCUMENTS OR DISCLOSED TO OTHERS OR USED FOR ANY PURPOSE OTHER THAN THAT WHICH IT WAS OBTAINED WITHOUT THE EXPRESSED WRITTEN CONSENT OF SAMTEC, INC.

MATERIAL: DO NOT SCALE DRAWING SHEET SCALE: 2:1
INSULATOR: PBT, UL 94 VO, COLOR: BLACK
TERMINAL: PHOS BRONZE

DESCRIPTION: LOCK CLIP WIREWRAP ASSEMBLY

DWG. NO. LCW-1XX-XX-X-X-XXX-XX

BY: L WILLIAMS 01/11/1985 SHEET 1 OF 1



520 PARK EAST BLVD, NEW ALBANY, IN 47150
PHONE: 812-944-6733 FAX: 812-948-5047
e-Mail: info@SAMTEC.com code 55322