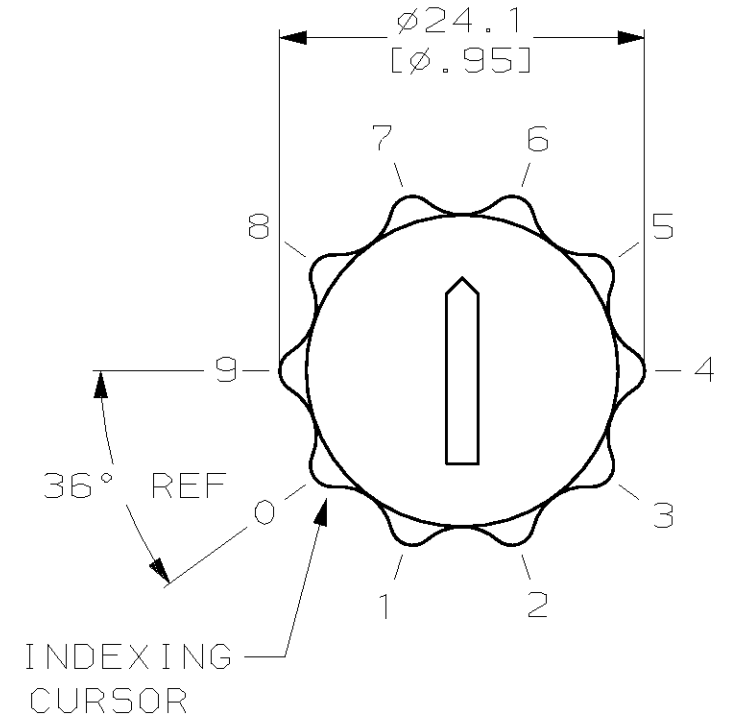
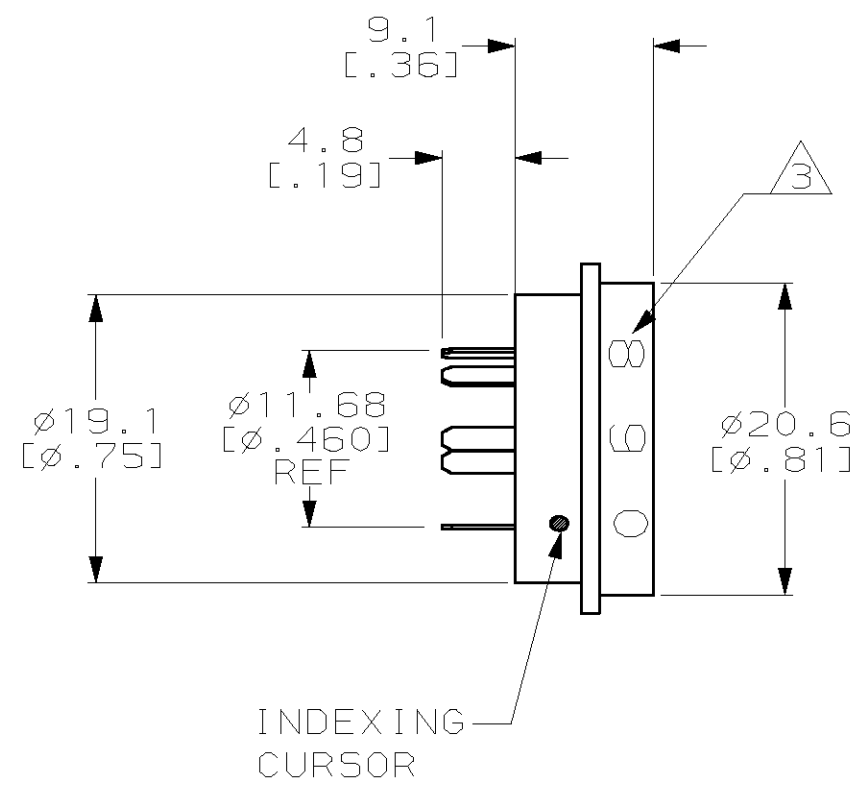
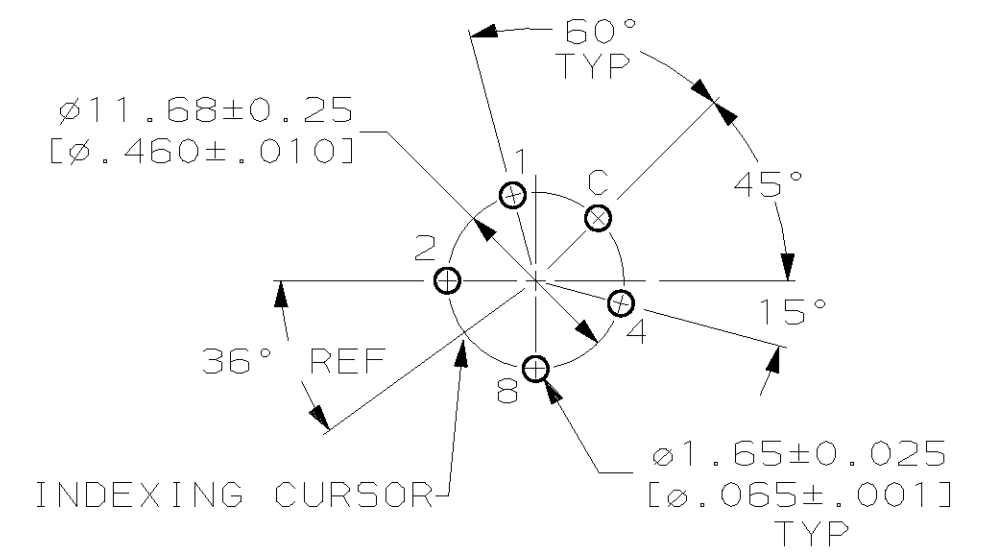


THIS DRAWING IS UNPUBLISHED. RELEASED FOR PUBLICATION, 19 .
 © COPYRIGHT 19 BY AMP INCORPORATED. ALL RIGHTS RESERVED.

LOC	DIST	REVISIONS					
FT	69	P	LTR	DESCRIPTION	DATE	DWN	APVD
		F		REV PER EC 0650-0173-98	9-14-98	LM	GR



- 1 MATERIAL; CASE-THERMOPLASTIC, COLOR NATURAL. WHEEL-THERMOPLASTIC, COLOR BLACK. CONTACT-BERYLLIUM COPPER
- 2 FINISH: SOLDER TAILS TIN PLATE 0.0051 [.000200] MIN. THICK. CONTACT AREA 0.00076 [.000030] MIN. HARD GOLD OVER 0.00127-0.00254 [.000050-.000100] LOW STRESS NICKEL.
- 3 CHARACTERS 2.3 [.09] HIGH, COLOR WHITE.



P.C. BOARD HOLE LAYOUT SWITCH SIDE

		SWITCH POSITION									
		0	1	2	3	4	5	6	7	8	9
COMMON TO	1		●		●		●		●		●
	2			●	●			●	●		
	4					●	●	●	●		
	8									●	●

435128-1
PART NO

THIS DRAWING IS A CONTROLLED DOCUMENT.		DWN R. TALLEY 8-7-91	AMP AMP Incorporated Harrisburg, PA 17105-3608	
DIMENSIONS: mm [INCHES]		CHK R. MILLER 8-7-91		
TOLERANCES UNLESS OTHERWISE SPECIFIED:		APVD D. HUFFMAN 8-9-91	NAME ROTARY SWITCH ASSY, 10 POSN, 6000 SERIES BCD	
0 PLC ±-		PRODUCT SPEC 108-7514	SIZE	
1 PLC ±-		APPLICATION SPEC 114-7005	CAGE CODE A300779	DRAWING NO C- 435128
2 PLC ±0.5 [.02]		WEIGHT -	RESTRICTED TO -	
3 PLC ±-		CUSTOMER DRAWING		
4 PLC ±-		SCALE 2:1		
ANGLES ±0°30'		SHEET 1 OF 1		
MATERIAL 1	FINISH 2	REV F		