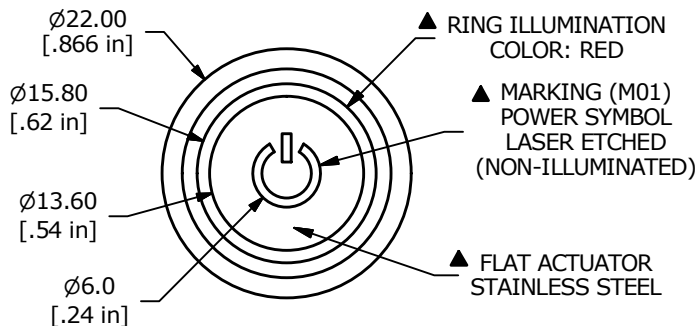
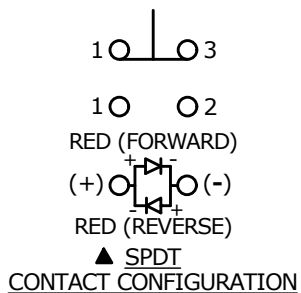


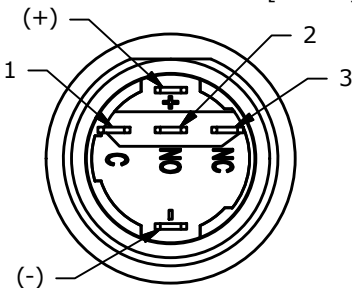
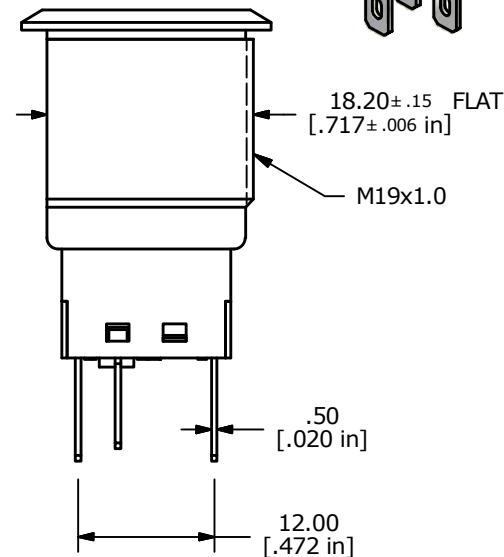
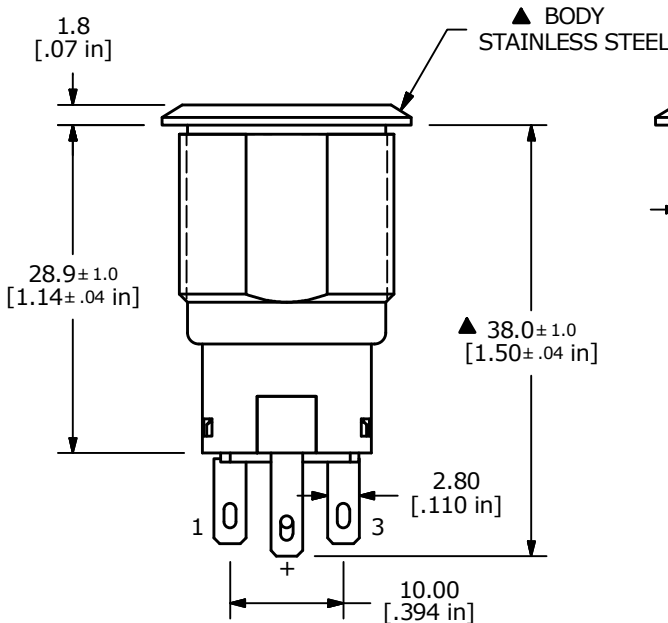
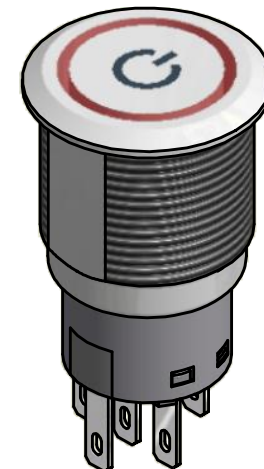
Recommended PANEL CUTOUT
 MAX. PANEL THICKNESS:
 11.0 [.43in]

SWITCH FUNCTION	
POS. 1	POS. 2
ON	(ON)
1-3	(1-2)

(ON) = MOMENTARY



▲ RING ILLUMINATION
 COLOR: RED
 ▲ MARKING (M01)
 POWER SYMBOL
 LASER ETCHED
 (NON-ILLUMINATED)
 ▲ FLAT ACTUATOR
 STAINLESS STEEL



- NOTE:
- ALL DIMENSIONS IN MM [INCH]
 - GENERAL TOLERANCE: X.X = ± 0.4
X.XX = ± 0.25
 - TERMINAL NUMBERS FOR REF ONLY
 - CONTACT MATERIAL: SILVER
 - RATING: 2A 48VDC
 - ELECTRIC LIFE: 50,000 MAKE-AND-BREAK CYCLES AT FULL LOAD.
 - INSULATION RESISTANCE: 1,000 M Ω MIN.
 - DIELECTRIC STRENGTH: 2,000 VAC MIN. FOR 1 MINUTE
 - CONTACT RESISTANCE: 50m Ω MAX. @ 1A 12VDC
 - OPERATING TEMP.: -20°C to 55°C
 - TRAVEL: 2.8mm
 - ▲ DENOTES CRITICAL PARAMETER
 - LAMP VOLTAGE: 20mA 1.8V
 - INGRESS PROTECTION: IP65
 - HARDWARE SUPPLIED: O-RING AND HEXNUT



REV	PCR NO	DESCRIPTION	DATE	BY
B	22413	DRAWING UPDATES	8/30/16	MW
A	20541	RELEASE FOR PRODUCTION	3/26/2012	MM

TITLE PV4F2B0SS311M01				
SCALE 3:2	DATE 3/26/2012	DR BGL	DWG 52-PV4F2B0SS311M01	REV B

THE INFORMATION CONTAINED IN THIS DOCUMENT IS PROPRIETARY TO E-SWITCH AND IS NOT TO BE COPIED OR TRANSFERRED