

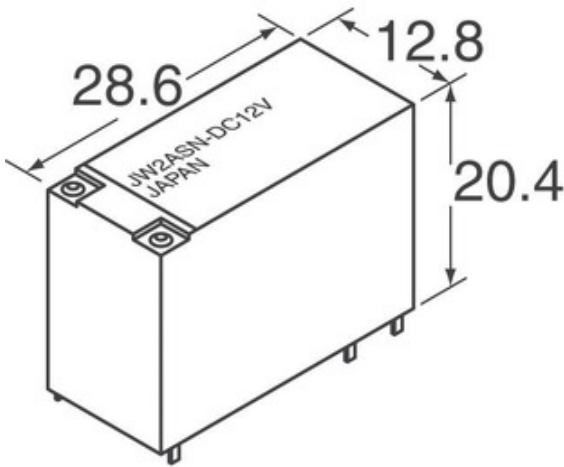
Panasonic

Panasonic

JW1AFSN-DC36V-F

Part Number:
 Manufacturer / Brand:
 Mombamomba ny vokatra
 Datasheets:
 RoHS Status
 Stock Condition
 Ship From
 Shipment Way

JW1AFSN-DC36V-F
 Panasonic
 JW RELAY 1 FORM A 36V 10A
 JW1AFSN-DC36V-F.pdf
 Lead free / RoHS compliant
 38069 pcs stock
 Hong Kong
 DHL/Fedex/TNT/UPS/EMS



MANGATAHA FAMPISEHOANA

Mety ho sary ny sary. Jereo manokana ny tsipiriany momba ny vokatra.

Specifications of JW1AFSN-DC36V-F

PART NUMBER	JW1AFSN-DC36V-F
MANUFACTURER	Panasonic
DESCRIPTION	JW RELAY 1 FORM A 36V 10A
LEAD FREE STATUS / ROHS STATUS	Lead free / RoHS compliant
QUANTITY AVAILABLE	38069 pcs
TAKELA-DAZA	JW1AFSN-DC36V-F.pdf
SERIES	*
NY HAAVON'NY FAHITAN-TORY (MSL)	1 (Unlimited)
LEAD FREE STATUS / ROHS STATUS	Lead free / RoHS Compliant
DETAILED DESCRIPTION	Relay Coil

Related Tags

Panasonic JW1AFSN-DC36V-F	JW1AFSN-DC36V-F Distributor	JW1AFSN-DC36V-F Supplier
JW1AFSN-DC36V-F Price	JW1AFSN-DC36V-F Pictures	JW1AFSN-DC36V-F Image
JW1AFSN-DC36V-F PDF Datasheet	JW1AFSN-DC36V-F Download Datasheet	JW1AFSN-DC36V-F Datasheet
JW1AFSN-DC36V-F Stock	Buy JW1AFSN-DC36V-F	Buy Panasonic JW1AFSN-DC36V-F
Panasonic JW1AFSN-DC36V-F	Panasonic Supplier	Panasonic Distributor
Panasonic JW1AFSN-DC36V-F	Panasonic - Consumer Division JW1AFSN-DC36V-F	Panasonic - Consumer Electronics Corp. JW1AFSN-DC36V-F
Panasonic Battery Group JW1AFSN-DC36V-F	Panasonic Electric Works - ACSD JW1AFSN-DC36V-F	Panasonic Electronic Components - Semiconductor Pr JW1AFSN-DC36V-F
Panasonic - ATG JW1AFSN-DC36V-F	Panasonic - BSG JW1AFSN-DC36V-F	Panasonic - DTG JW1AFSN-DC36V-F
Panasonic Electric Works JW1AFSN-DC36V-F	Panasonic Electronic Components JW1AFSN-DC36V-F	Panasonic Industrial Automation Sales JW1AFSN-DC36V-F
Panasonic Semiconductor JW1AFSN-DC36V-F		

Related Products

<p>JW1AFSN-DC5V-F Manufacturers: Panasonic Description: RELAY GEN PURPOSE SPST 10A 5V Ao amin'ny staoky: 28185 pcs RFQ</p>	<p>JW1AFSN-DC24V Manufacturers: Panasonic Description: RELAY GEN PURPOSE SPST 10A 24V Ao amin'ny staoky: 4181 pcs RFQ</p>
<p>JW1AFSN-DC24V-TUV-F Manufacturers: Panasonic Description: JW RELAY 1 FORM A 24V 10A Ao amin'ny staoky: 39266 pcs RFQ</p>	<p>JW1AFSN-DC48V-TV Manufacturers: Panasonic Description: RELAY GEN PURPOSE SPST 10A 48V Ao amin'ny staoky: 40394 pcs RFQ</p>
<p>JW1AFSN-DC24V-F Manufacturers: Panasonic Description: RELAY GEN PURPOSE SPST 10A 24V Ao amin'ny staoky: 28810 pcs RFQ</p>	<p>JW1AFSN-DC18V Manufacturers: Panasonic Description: RELAY GEN PURPOSE SPST 10A 18V Ao amin'ny staoky: 44608 pcs RFQ</p>
<p>JW1AFSN-DC24V-TV Manufacturers: Panasonic Description: RELAY GEN PURPOSE SPST 10A 24V Ao amin'ny staoky: 39989 pcs RFQ</p>	<p>JW1AFSN-DC48V-F Manufacturers: Panasonic Description: RELAY GEN PURPOSE SPST 10A 48V Ao amin'ny staoky: 31362 pcs RFQ</p>
<p>JW1AFSN-DC24V-TV-F Manufacturers: Panasonic Description: JW RELAY 1 FORM A 24V 10A Ao amin'ny staoky: 33848 pcs RFQ</p>	<p>JW1AFSN-DC48V-TV-F Manufacturers: Panasonic Description: JW RELAY 1 FORM A 48V 10A Ao amin'ny staoky: 37571 pcs RFQ</p>
<p>JW1AFSN-DC5V Manufacturers: Panasonic Description: RELAY GEN PURPOSE SPST 10A 5V Ao amin'ny staoky: 3779 pcs RFQ</p>	<p>JW1AFSN-DC48V Manufacturers: Panasonic Description: RELAY GEN PURPOSE SPST 10A 48V Ao amin'ny staoky: 40277 pcs RFQ</p>