

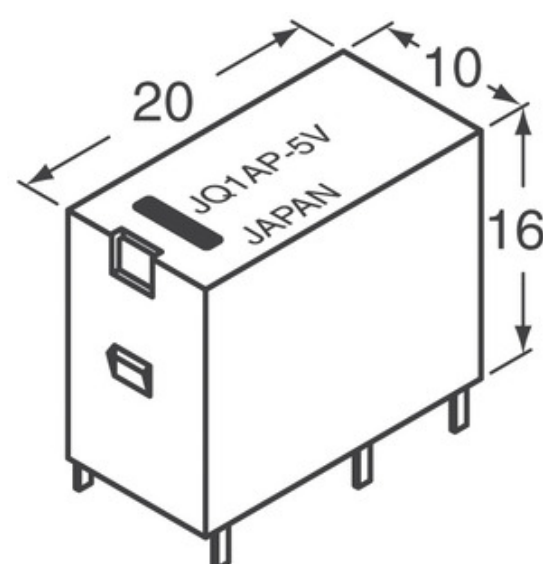
Panasonic

Panasonic

JQ1-B-18V-F

Part Number:
 Manufacturer / Brand:
 Mombamomba ny vokatra
 Datasheets:
 RoHs Status
 Stock Condition
 Ship From
 Shipment Way

JQ1-B-18V-F
 Panasonic
 JQ RELAY 1 FORM C 18V
 JQ1-B-18V-F.pdf
 Lead free / RoHS compliant
 39018 pcs stock
 Hong Kong
 DHL/Fedex/TNT/UPS/EMS



Mety ho sary ny sary. Jereo manokana ny tsipiriany momba ny vokatra.

MANGATAHA FAMPISEHOANA

Specifications of JQ1-B-18V-F

PART NUMBER	JQ1-B-18V-F
MANUFACTURER	Panasonic
DESCRIPTION	JQ RELAY 1 FORM C 18V
LEAD FREE STATUS / ROHS STATUS	Lead free / RoHS compliant
QUANTITY AVAILABLE	39018 pcs
TAKELA-DAZA	JQ1-B-18V-F.pdf
SERIES	*
NY HAAVON'NY FAHITAN-TORY (MSL)	1 (Unlimited)
LEAD FREE STATUS / ROHS STATUS	Lead free / RoHS Compliant
DETAILED DESCRIPTION	Relay Coil

Related Tags

Panasonic JQ1-B-18V-F	JQ1-B-18V-F Distributor	JQ1-B-18V-F Supplier
JQ1-B-18V-F Price	JQ1-B-18V-F Pictures	JQ1-B-18V-F Image
JQ1-B-18V-F PDF Datasheet	JQ1-B-18V-F Download Datasheet	JQ1-B-18V-F Datasheet
JQ1-B-18V-F Stock	Buy JQ1-B-18V-F	Buy Panasonic JQ1-B-18V-F
Panasonic JQ1-B-18V-F	Panasonic Supplier	Panasonic Distributor
Panasonic JQ1-B-18V-F	Panasonic - Consumer Division JQ1-B-18V-F	Panasonic - Consumer Electronics Corp. JQ1-B-18V-F
Panasonic Battery Group JQ1-B-18V-F	Panasonic Electric Works - ACSD JQ1-B-18V-F	Panasonic Electronic Components - Semiconductor Pr JQ1-B-18V-F
Panasonic - ATG JQ1-B-18V-F	Panasonic - BSG JQ1-B-18V-F	Panasonic - DTG JQ1-B-18V-F
Panasonic Electric Works JQ1-B-18V-F	Panasonic Electronic Components JQ1-B-18V-F	Panasonic Industrial Automation Sales JQ1-B-18V-F
Panasonic Semiconductor JQ1-B-18V-F		

Related Products

<p>JQ1-B-9V-F Manufacturers: Panasonic Description: JQ RELAY 1 FORM C 9V Ao amin'ny staoky: 41857 pcs RFQ</p>	<p>JQ1-9V Manufacturers: Panasonic Description: RELAY GENERAL PURPOSE SPDT 5A 9V Ao amin'ny staoky: 3646 pcs RFQ</p>
<p>JQ1-F-5V-F Manufacturers: Panasonic Description: JQ RELAY 1 FORM C 5V Ao amin'ny staoky: 49961 pcs RFQ</p>	<p>JQ1-5V-F Manufacturers: Panasonic Description: RELAY GENERAL PURPOSE SPDT 5A 5V Ao amin'ny staoky: 18344 pcs RFQ</p>
<p>JQ1-B-12V-F Manufacturers: Panasonic Description: RELAY GEN PURPOSE SPDT 5A 12V Ao amin'ny staoky: 33903 pcs RFQ</p>	<p>JQ1-6V Manufacturers: Panasonic Description: RELAY GENERAL PURPOSE SPDT 5A 6V Ao amin'ny staoky: 5303 pcs RFQ</p>
<p>JQ1-B-5V-F Manufacturers: Panasonic Description: JQ RELAY 1 FORM C 5V Ao amin'ny staoky: 48004 pcs RFQ</p>	<p>JQ1-6V-F Manufacturers: Panasonic Description: RELAY GENERAL PURPOSE SPDT 5A 6V Ao amin'ny staoky: 25493 pcs RFQ</p>
<p>JQ1-B-24V-F Manufacturers: Panasonic Description: JQ RELAY 1 FORM C 24V Ao amin'ny staoky: 39522 pcs RFQ</p>	<p>JQ1-B-6V-F Manufacturers: Panasonic Description: JQ RELAY 1 FORM C 6V Ao amin'ny staoky: 46529 pcs RFQ</p>
<p>JQ1-B-48V-F Manufacturers: Panasonic Description: JQ RELAY 1 FORM C 48V Ao amin'ny staoky: 41459 pcs RFQ</p>	<p>JQ1-9V-F Manufacturers: Panasonic Description: RELAY GENERAL PURPOSE SPDT 5A 9V Ao amin'ny staoky: 31079 pcs RFQ</p>