

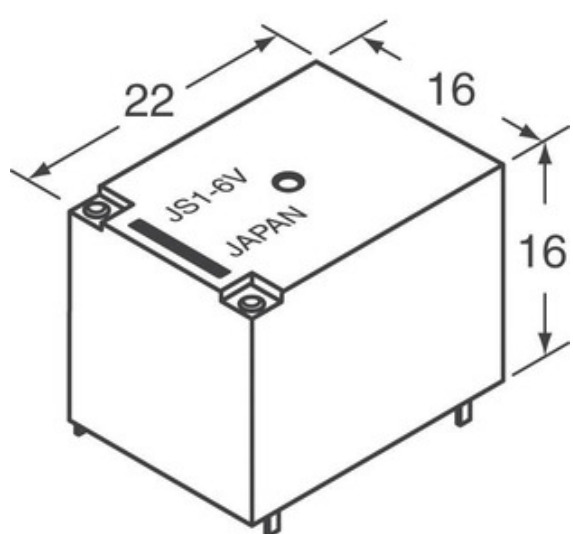
**Panasonic**

Panasonic

### JS1-18V-F

Part Number:  
 Manufacturer / Brand:  
 Mombamomba ny vokatra  
 Datasheets:  
 RoHs Status  
 Stock Condition  
 Ship From  
 Shipment Way

JS1-18V-F  
 Panasonic  
 RELAY GEN PURPOSE SPDT 10A 18V  
 JS1-18V-F.pdf  
 Lead free / RoHS compliant  
 56897 pcs stock  
 Hong Kong  
 DHL/Fedex/TNT/UPS/EMS



**MANGATAHA FAMPISEHOANA**

Mety ho sary ny sary. Jereo manokana ny tsipiriany momba ny vokatra.

#### Specifications of JS1-18V-F

PART NUMBER	JS1-18V-F
MANUFACTURER	Panasonic
DESCRIPTION	RELAY GEN PURPOSE SPDT 10A 18V
LEAD FREE STATUS / ROHS STATUS	Lead free / RoHS compliant
QUANTITY AVAILABLE	56897 pcs
TAKELA-DAZA	JS1-18V-F.pdf
MIEZAHA HIFEHY (MAX)	12.6 VDC
HANAFOANA NY ELANELANA (MINITRA)	1.8 VDC
FAMARANANA	PC Pin
FIATREHANA HERINARATRA	250VAC, 100VDC - Max
SERIES	JS
RELEASE TIME	10ms
RELAY TYPE	General Purpose
FONOSANA	Bulk
ANARANA Hafa	255-6177 JS1-18V-F-ND
OPERATING TEMPERATURE	-40°C ~ 70°C
MIASÀ FOTOANA	10ms
TENDROMBOHITRA	Through Hole
NY HAAVON'NY FAHITAN-TORY (MSL)	1 (Unlimited)
LEAD FREE STATUS / ROHS STATUS	Lead free / RoHS Compliant
TOETOETRA	Sealed - Fully
DETAILED DESCRIPTION	General Purpose Relay SPDT (1 Form C) 18VDC Coil Through Hole
CONTACT RATING (CURRENT)	10A
CONTACT MATERIAL	Silver Tin Oxide (AgSnO)
CONTACT FORM	SPDT (1 Form C)
COIL VOLTAGE	18VDC
COIL TYPE	Non Latching
RESISTANCE COIL	900 Ohms
COIL POWER	360 mW
COIL CURRENT	20.0mA

#### Related Tags

Panasonic JS1-18V-F	JS1-18V-F Distributor	JS1-18V-F Supplier
JS1-18V-F Price	JS1-18V-F Pictures	JS1-18V-F Image
JS1-18V-F PDF Datasheet	JS1-18V-F Download Datasheet	JS1-18V-F Datasheet
JS1-18V-F Stock	Buy JS1-18V-F	Buy Panasonic JS1-18V-F
Panasonic JS1-18V-F	Panasonic Supplier	Panasonic Distributor
Panasonic JS1-18V-F	Panasonic - Consumer Division JS1-18V-F	Panasonic - Consumer Electronics Corp. JS1-18V-F
Panasonic Battery Group JS1-18V-F	Panasonic Electric Works - ACSD JS1-18V-F	Panasonic Electronic Components - Semiconductor Pr JS1-18V-F
Panasonic - ATG JS1-18V-F	Panasonic - BSG JS1-18V-F	Panasonic - DTG JS1-18V-F
Panasonic Electric Works JS1-18V-F	Panasonic Electronic Components JS1-18V-F	Panasonic Industrial Automation Sales JS1-18V-F
Panasonic Semiconductor JS1-18V-F		

#### Related Products

<p><b>JS1-12V-F</b>                  Manufacturers: Panasonic                  Description: RELAY GEN PURPOSE SPDT 10A 12V                  Ao amin'ny staoky: 61921 pcs  <a href="#">RFQ</a></p>	<p><b>JS1-48V-F</b>                  Manufacturers: Panasonic                  Description: RELAY GEN PURPOSE SPDT 10A 48V                  Ao amin'ny staoky: 47836 pcs  <a href="#">RFQ</a></p>
<p><b>JS1-18V</b>                  Manufacturers: Panasonic                  Description: RELAY GEN PURPOSE SPDT 10A 18V                  Ao amin'ny staoky: 6209 pcs  <a href="#">RFQ</a></p>	<p><b>JS1-48V</b>                  Manufacturers: Panasonic                  Description: RELAY GEN PURPOSE SPDT 10A 48V                  Ao amin'ny staoky: 4401 pcs  <a href="#">RFQ</a></p>
<p><b>JS1-24V</b>                  Manufacturers: Panasonic                  Description: RELAY GEN PURPOSE SPDT 10A 24V                  Ao amin'ny staoky: 3819 pcs  <a href="#">RFQ</a></p>	<p><b>JS1-12V</b>                  Manufacturers: Panasonic                  Description: RELAY GEN PURPOSE SPDT 10A 12V                  Ao amin'ny staoky: 3578 pcs  <a href="#">RFQ</a></p>
<p><b>JS1-24V-TV</b>                  Manufacturers: Panasonic                  Description: RELAY GEN PURPOSE SPDT 10A 24V                  Ao amin'ny staoky: 4011 pcs  <a href="#">RFQ</a></p>	<p><b>JS1-3V</b>                  Manufacturers: Panasonic                  Description: RELAY GEN PURPOSE SPDT 10A 3V                  Ao amin'ny staoky: 5928 pcs  <a href="#">RFQ</a></p>
<p><b>JS1-12V-TV</b>                  Manufacturers: Panasonic                  Description: RELAY GEN PURPOSE SPDT 10A 12V                  Ao amin'ny staoky: 3328 pcs  <a href="#">RFQ</a></p>	<p><b>JS1-15V</b>                  Manufacturers: Panasonic                  Description: RELAY GEN PURPOSE SPDT 10A 15V                  Ao amin'ny staoky: 5990 pcs  <a href="#">RFQ</a></p>
<p><b>JS1-24V-F</b>                  Manufacturers: Panasonic                  Description: RELAY GEN PURPOSE SPDT 10A 24V                  Ao amin'ny staoky: 52448 pcs  <a href="#">RFQ</a></p>	<p><b>JS1-24V-FT</b>                  Manufacturers: Panasonic                  Description: JS RELAY 1 FORM C 24V                  Ao amin'ny staoky: 41464 pcs  <a href="#">RFQ</a></p>

Copyright © 2020 Mpanolotsaina azo antoka azo avy amin'ny singa elektronika

E-mail: [Info@infinity-electronic.com](mailto:Info@infinity-electronic.com)

Adiresy: 17F, Gaylord Commercial Building, 114-118 Roadhart Road, Wan Chai, Hong Kong

