

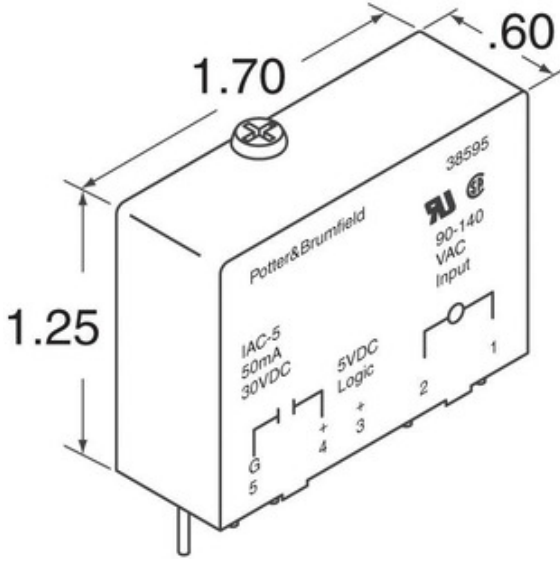


Agastat Relays / TE Connectivity

OAC-24

Part Number:
 Manufacturer / Brand:
 Mombamomba ny vokatra
 Datasheets:
 RoHS Status
 Stock Condition
 Ship From
 Shipment Way

OAC-24
 Agastat Relays / TE Connectivity
 AC OUTPUT MODULE 3A
 OAC-24.pdf
 Lead free / RoHS compliant
 4371 pcs stock
 Hong Kong
 DHL/Fedex/TNT/UPS/EMS



MANGATAHA FAMPISEHOANA

Mety ho sary ny sary. Jereo manokana ny tsipiriany momba ny vokatra.

Specifications of OAC-24

PART NUMBER	OAC-24
MANUFACTURER	Agastat Relays / TE Connectivity
DESCRIPTION	AC OUTPUT MODULE 3A
LEAD FREE STATUS / ROHS STATUS	Lead free / RoHS compliant
QUANTITY AVAILABLE	4371 pcs
TAKELA-DAZA	OAC-24.pdf
VOLTAGE - OUTPUT	24 ~ 280VAC
VOLTAGE - INPUT	24VDC
TYPE	AC Output Module
MIVERENA AMIN'NY FOTOANA	8.33ms
HANAFOANA NY FOTOANA	8.33ms
STYLE	Standard
SERIES	OAC
ANARANA HAFA	2-1393028-4 PB699
LEAD FREE STATUS / ROHS STATUS	Lead free / RoHS Compliant
TOETOETRA	Hold Down Screw
DETAILED DESCRIPTION	AC Output Module Output Module 3A 24 ~ 280VAC Output 24VDC Supply
CURRENT - OUTPUT	3A
CURRENT - INPUT	13mA
COLOR	Black

Related Tags

Agastat Relays / TE Connectivity OAC-24	OAC-24 Distributor	OAC-24 Supplier
OAC-24 Price	OAC-24 Pictures	OAC-24 Image
OAC-24 PDF Datasheet	OAC-24 Download Datasheet	OAC-24 Datasheet
OAC-24 Stock	Buy OAC-24	Buy Agastat Relays / TE Connectivity OAC-24
Agastat Relays / TE Connectivity OAC-24	Agastat Relays / TE Connectivity Supplier	Agastat Relays / TE Connectivity Distributor
Agastat Relays / TE Connectivity OAC-24	Axicom Relays / TE Connectivity OAC-24	Buchanan Terminal Blocks / TE Connectivity OAC-24
CGS Resistors / TE Connectivity OAC-24	CII / TE Connectivity OAC-24	Elcon Connectors / TE Connectivity OAC-24
Holsworthy Resistors / TE Connectivity OAC-24	Kilovac Relays / TE Connectivity OAC-24	Neohm Resistors / TE Connectivity OAC-24
OEG Relays / TE Connectivity OAC-24	Products Unlimited Transformers & Relays / TE Conn OAC-24	Q-Cee's / TE Connectivity OAC-24
Schrack Relays / TE Connectivity OAC-24	Sigma Inductors / TE Connectivity OAC-24	TE Connectivity's Agastat Relays OAC-24
TE Connectivity's Axicom Relays OAC-24	TE Connectivity's Buchanan Terminal Blocks OAC-24	TE Connectivity's CGS Resistors OAC-24
TE Connectivity's CII OAC-24	TE Connectivity's Elcon Connectors OAC-24	TE Connectivity's Holsworthy Resistors OAC-24
TE Connectivity's Neohm Resistors OAC-24	TE Connectivity's OEG Relays OAC-24	TE Connectivity's Q-Cee's OAC-24
TE Connectivity's Schrack Relays OAC-24	TE Connectivity's Sigma Inductors OAC-24	TE Connectivity's Products Unlimited Transformers OAC-24
TE Connectivity's Kilovac Relays OAC-24		

Related Products

<p>OAC24RN Manufacturers: Crydom Description: AC OUTPUT MODULE 3.5A Ao amin'ny staoky: 2448 pcs</p> <p>RFQ</p>	<p>OAC24A Manufacturers: Crydom Description: AC OUTPUT MODULE 3.5A Ao amin'ny staoky: 3505 pcs</p> <p>RFQ</p>
<p>OAC15A Manufacturers: Crydom Description: AC OUTPUT MODULE 3A Ao amin'ny staoky: 3683 pcs</p> <p>RFQ</p>	<p>OAC-5H Manufacturers: Agastat Relays / TE Connectivity Description: AC OUTPUT MODULE 5A Ao amin'ny staoky: 4073 pcs</p> <p>RFQ</p>
<p>OAC-15A Manufacturers: Agastat Relays / TE Connectivity Description: AC OUTPUT MODULE 3A Ao amin'ny staoky: 4673 pcs</p> <p>RFQ</p>	<p>OAC-24A Manufacturers: Agastat Relays / TE Connectivity Description: AC OUTPUT MODULE 3A Ao amin'ny staoky: 8040 pcs</p> <p>RFQ</p>
<p>OAC24 Manufacturers: Crydom Description: AC OUTPUT MODULE 3.5A Ao amin'ny staoky: 2890 pcs</p> <p>RFQ</p>	<p>OAC-24H Manufacturers: Agastat Relays / TE Connectivity Description: AC OUTPUT MODULE 5A Ao amin'ny staoky: 5816 pcs</p> <p>RFQ</p>
<p>OAC15 Manufacturers: Crydom Description: AC OUTPUT MODULE 3A Ao amin'ny staoky: 2489 pcs</p> <p>RFQ</p>	<p>OAC-15 Manufacturers: Agastat Relays / TE Connectivity Description: AC OUTPUT MODULE 3A Ao amin'ny staoky: 5767 pcs</p> <p>RFQ</p>
<p>OAC-5 Manufacturers: Agastat Relays / TE Connectivity Description: AC OUTPUT MODULE 3A Ao amin'ny staoky: 4639 pcs</p> <p>RFQ</p>	<p>OAC-5A Manufacturers: Agastat Relays / TE Connectivity Description: AC OUTPUT MODULE 3A Ao amin'ny staoky: 4645 pcs</p> <p>RFQ</p>

