

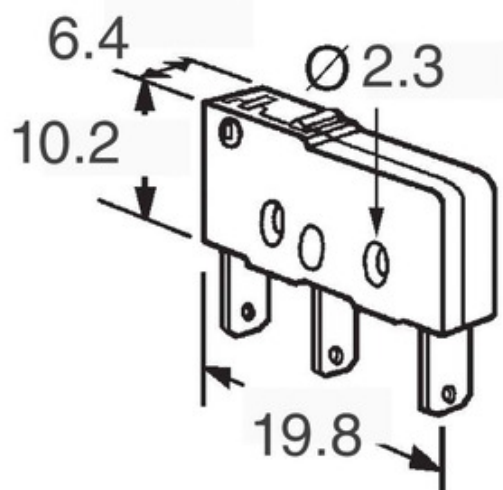


Omron

SS-5FD1

Part Number:
 Manufacturer / Brand:
 Mombamomba ny vokatra
 Datasheets:
 RoHs Status
 Stock Condition
 Ship From
 Shipment Way

SS-5FD1
 Omron
 SWITCH SNAP ACTION SPDT 5A 125V
 SS-5FD1.pdf
 Lead free / RoHS compliant
 39237 pcs stock
 Hong Kong
 DHL/Fedex/TNT/UPS/EMS



MANGATAHA FAMPISEHOANA

Mety ho sary ny sary. Jereo manokana ny tsipiriany momba ny vokatra.

Specifications of SS-5FD1

PART NUMBER	SS-5FD1
MANUFACTURER	Omron
DESCRIPTION	SWITCH SNAP ACTION SPDT 5A 125V
LEAD FREE STATUS / ROHS STATUS	Lead free / RoHS compliant
QUANTITY AVAILABLE	39237 pcs
TAKELA-DAZA	SS-5FD1.pdf
VOLTAGE RATING - AC	125V
FAMARANANA	PC Pin
SWITCH FUNCTION	On-Mom
SERIES	SS
AFAHO NY HERY	4.079gf
PRETRAVEL	0.020" (0.5mm)
FONOSANA	Bulk
OVERTRAVEL	0.020" (0.5mm)
ANARANA HAFA	SS5FD1
OPERATING TEMPERATURE	-25°C ~ 85°C
ASA EO AMIN'NY ASA	0.330" (8.4mm)
MPANAZATRA	50gf
TENDROMBOHITRA	Through Hole, Right Angle
MECHANICAL LIFE	30,000,000 Cycles
LEAD FREE STATUS / ROHS STATUS	Lead free / RoHS Compliant
FIAROVAN-DOHA	IP40
TOETOETRA	-
LIFE ELECTRICAL	200,000 Cycles
FITSIDIHANA TSY MITOVY	0.004" (0.1mm)
CURRENT RATING	5A (AC)
CIRCUIT	SPDT
ASAN-KARAZANY	Round (Pin Plunger)

Related Tags

Omron SS-5FD1	SS-5FD1 Distributor	SS-5FD1 Supplier
SS-5FD1 Price	SS-5FD1 Pictures	SS-5FD1 Image
SS-5FD1 PDF Datasheet	SS-5FD1 Download Datasheet	SS-5FD1 Datasheet
SS-5FD1 Stock	Buy SS-5FD1	Buy Omron SS-5FD1
Omron SS-5FD1	Omron Supplier	Omron Distributor
Omron SS-5FD1	Omron Electronics Inc-IA Div SS-5FD1	Omron Electronics Inc-EMC Div SS-5FD1
Omron Electronics LLC SS-5FD1		

Related Products

<p>SS-5F-8A-AP Manufacturers: Bussmann (Eaton) Description: FUSE BOARD MOUNT 8A 125VAC RAD Ao amin'ny staoky: 128657 pcs</p> <p>RFQ</p>	<p>SS-5GL Manufacturers: Omron Description: SWITCH SNAP ACTION SPDT 5A 125V Ao amin'ny staoky: 46478 pcs</p> <p>RFQ</p>
<p>SS-5FL111-3 Manufacturers: Omron Description: SWITCH SNAP ACT SPST-NO 3A 250V Ao amin'ny staoky: 47165 pcs</p> <p>RFQ</p>	<p>SS-5FD2 Manufacturers: Omron Description: SWITCH SNAP ACTION SPDT 5A 125V Ao amin'ny staoky: 34422 pcs</p> <p>RFQ</p>
<p>SS-5FH-3.15A-BK Manufacturers: Bussmann (Eaton) Description: FUSE BRD MNT 3.15A 350VAC/150VDC Ao amin'ny staoky: 132819 pcs</p> <p>RFQ</p>	<p>SS-5F-800MA-AP Manufacturers: Bussmann (Eaton) Description: FUSE BOARD MNT 800MA 250VAC RAD Ao amin'ny staoky: 128204 pcs</p> <p>RFQ</p>
<p>SS-5F-7A-AP Manufacturers: Bussmann (Eaton) Description: FUSE BOARD MOUNT 7A 125VAC RAD Ao amin'ny staoky: 120124 pcs</p> <p>RFQ</p>	<p>SS-5FH-3.15A-AP Manufacturers: Bussmann (Eaton) Description: FUSE BRD MNT 3.15A 350VAC/150VDC Ao amin'ny staoky: 143202 pcs</p> <p>RFQ</p>
<p>SS-5F-8A-BK Manufacturers: Bussmann (Eaton) Description: FUSE BOARD MOUNT 8A 125VAC RAD Ao amin'ny staoky: 64441 pcs</p> <p>RFQ</p>	<p>SS-5F-800MA-BK Manufacturers: Bussmann (Eaton) Description: FUSE BOARD MNT 800MA 250VAC RAD Ao amin'ny staoky: 76904 pcs</p> <p>RFQ</p>
<p>SS-5F-7A-BK Manufacturers: Bussmann (Eaton) Description: FUSE BOARD MOUNT 7A 125VAC RAD Ao amin'ny staoky: 72487 pcs</p> <p>RFQ</p>	<p>SS-5FL111-3T Manufacturers: Omron Description: SWITCH SNAP ACT SPST-NO 3A 250V Ao amin'ny staoky: 57953 pcs</p> <p>RFQ</p>

